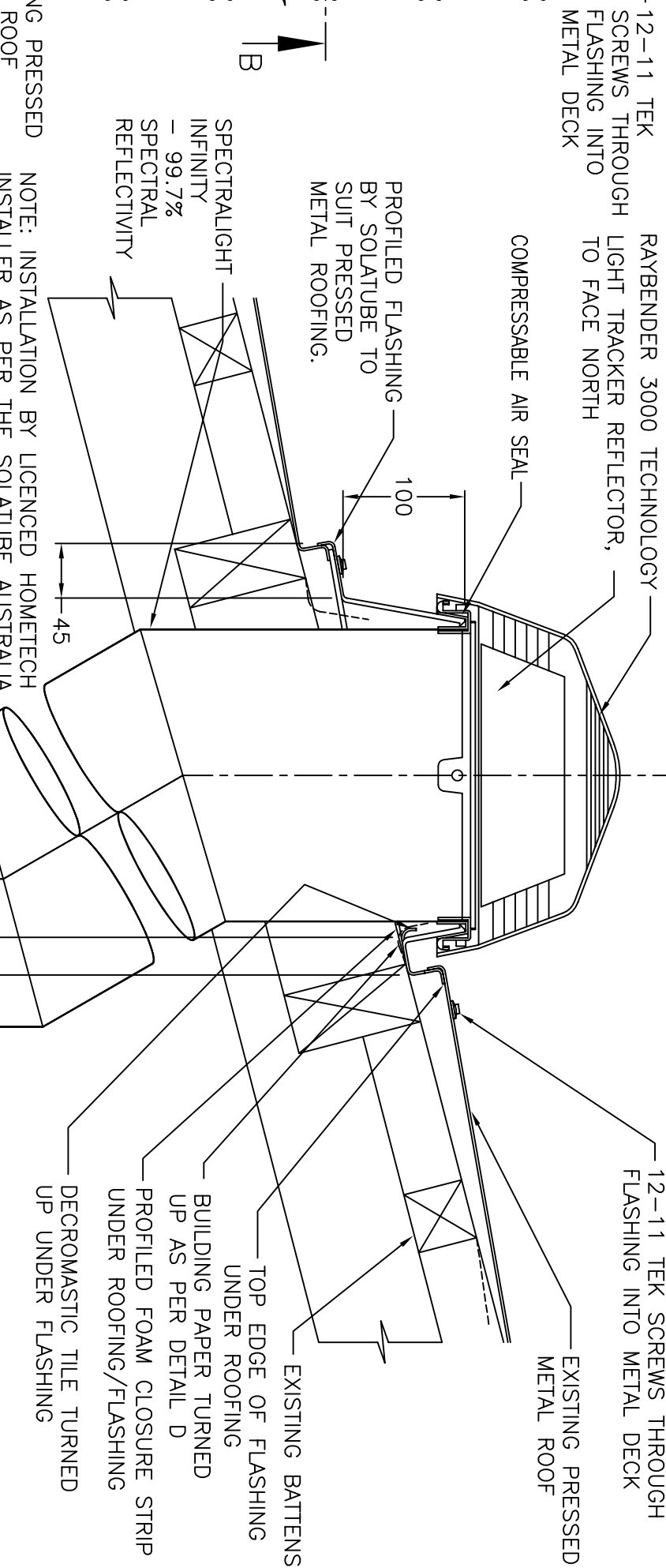
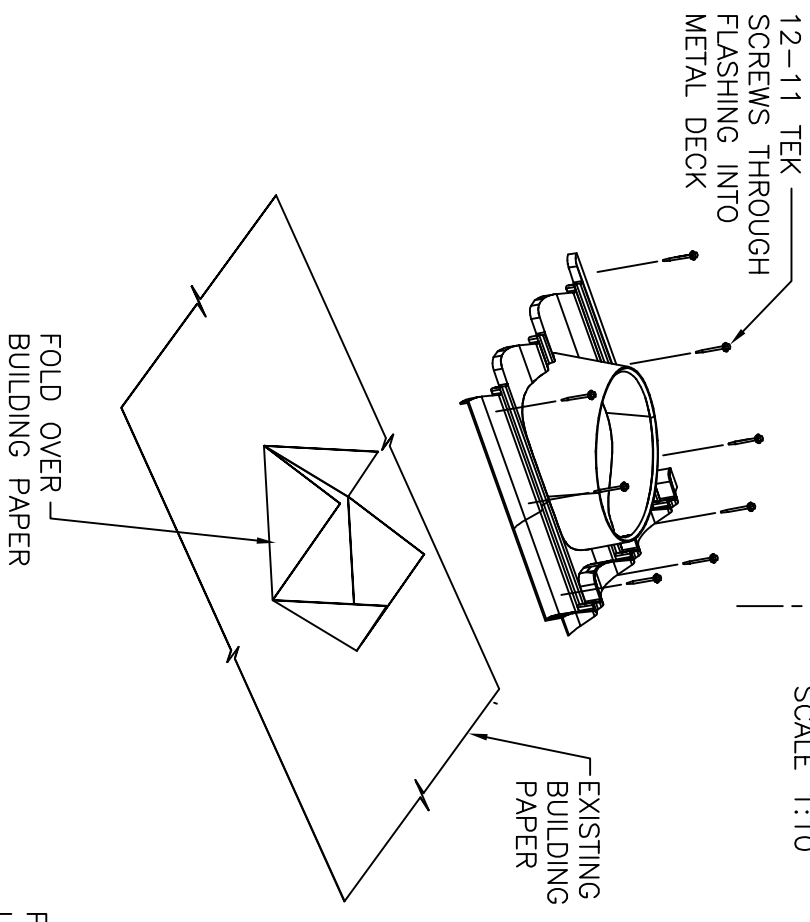


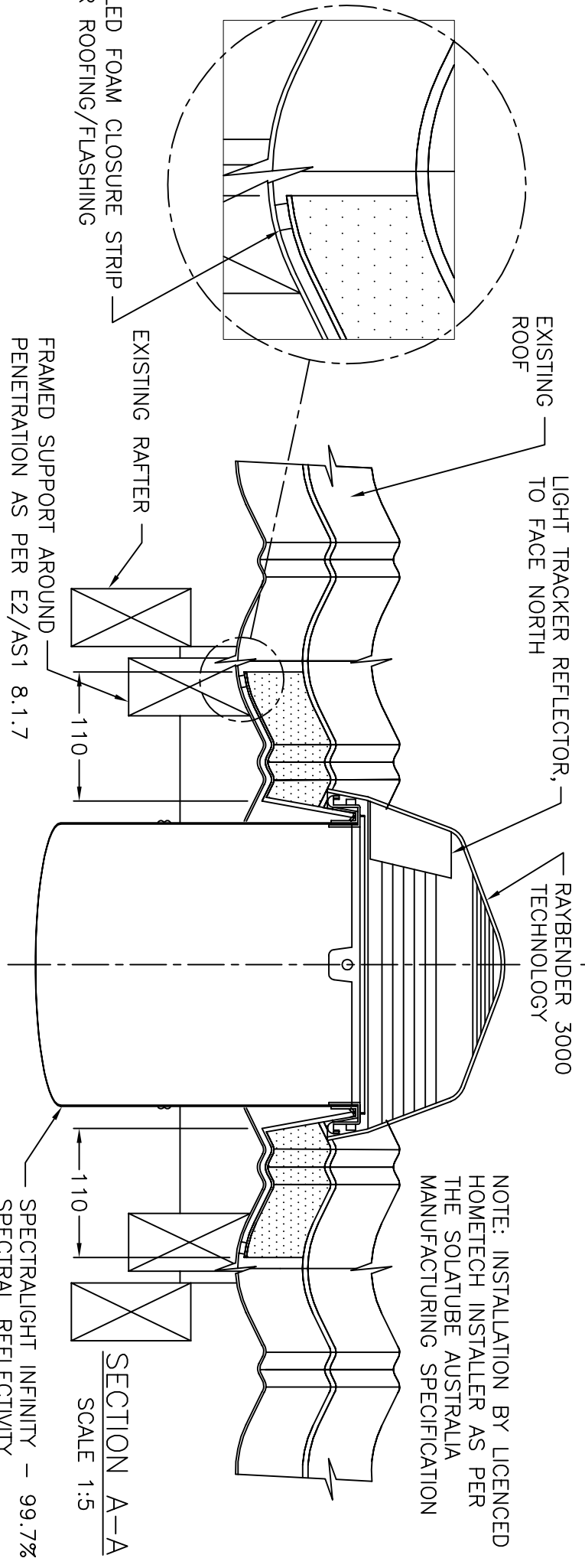
PLAN
SCALE 1:10



SECTION B-B
SCALE 1:5



DETAIL D - 3D EXPLODED VIEW
N.T.S.



SECTION A-A
SCALE 1:5

DRAWN	PCR	REVISION	A
DATE	15/09/09	SCALE	1:5, 1:10, N.T.S.
APPROVED	PN	DWG NO.	160DS-D
DATE	15/09/09		