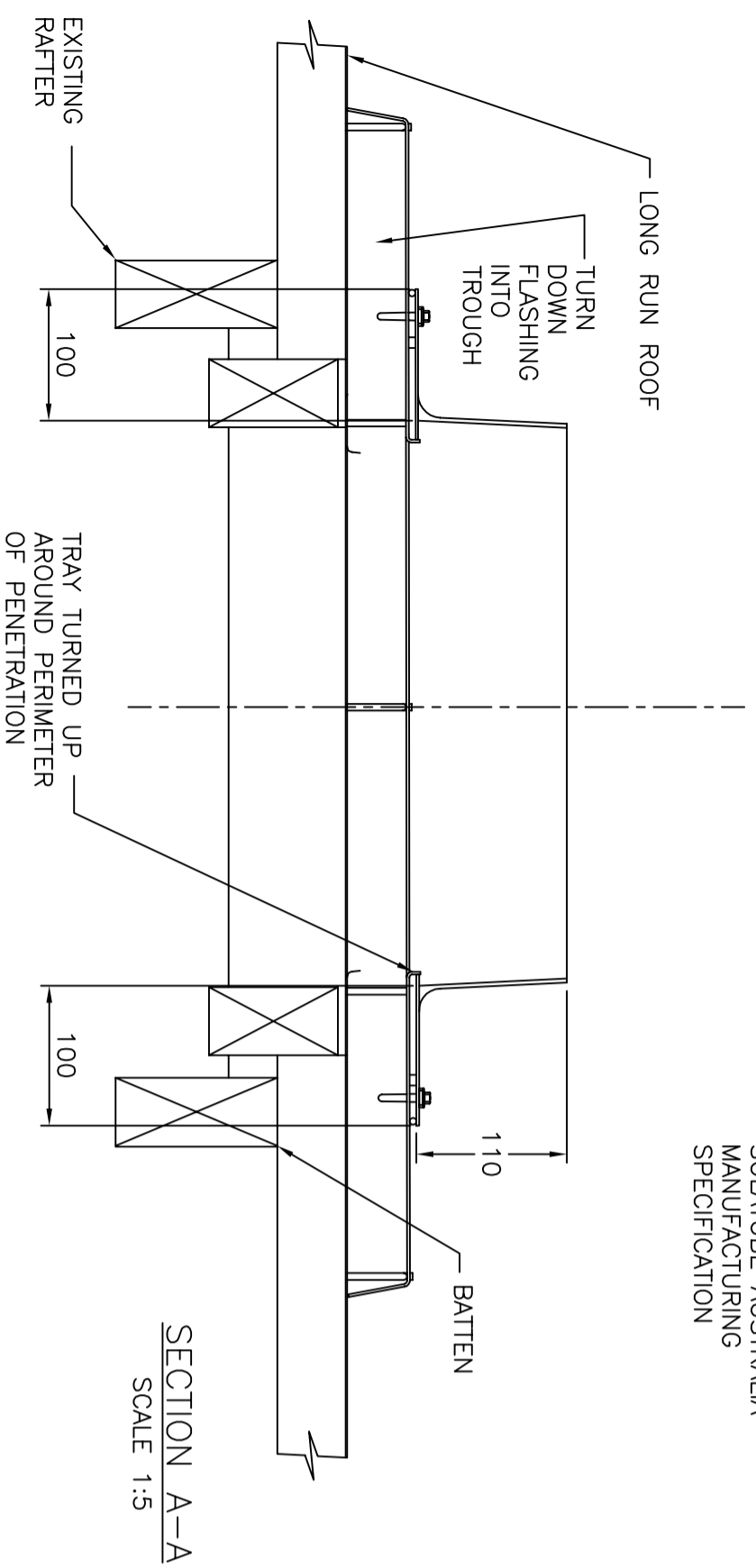
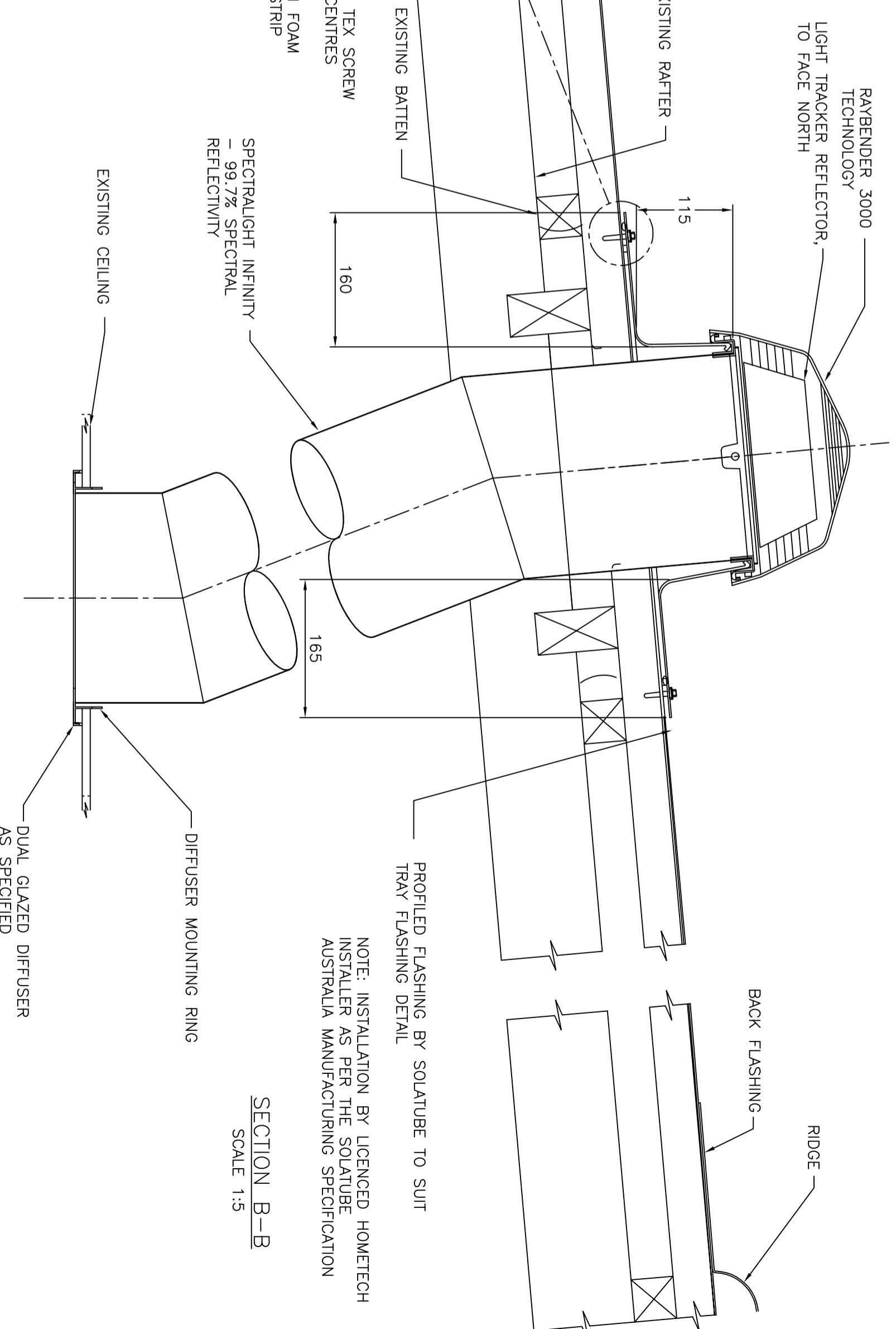
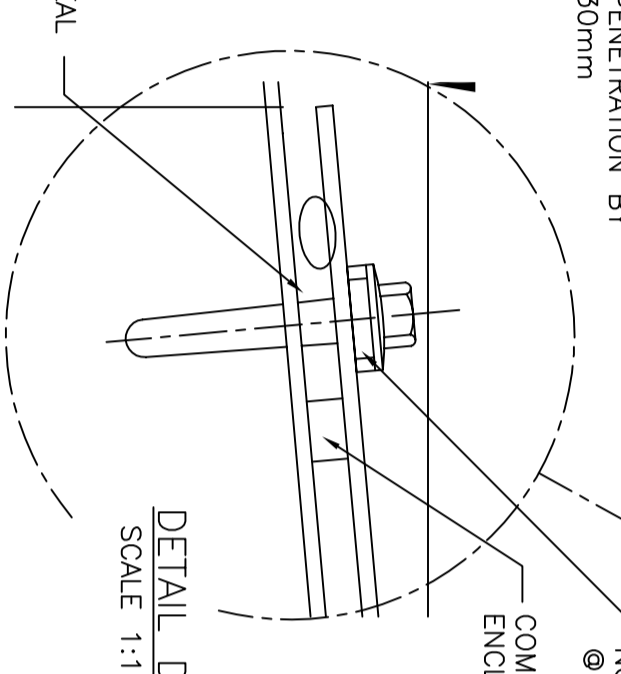
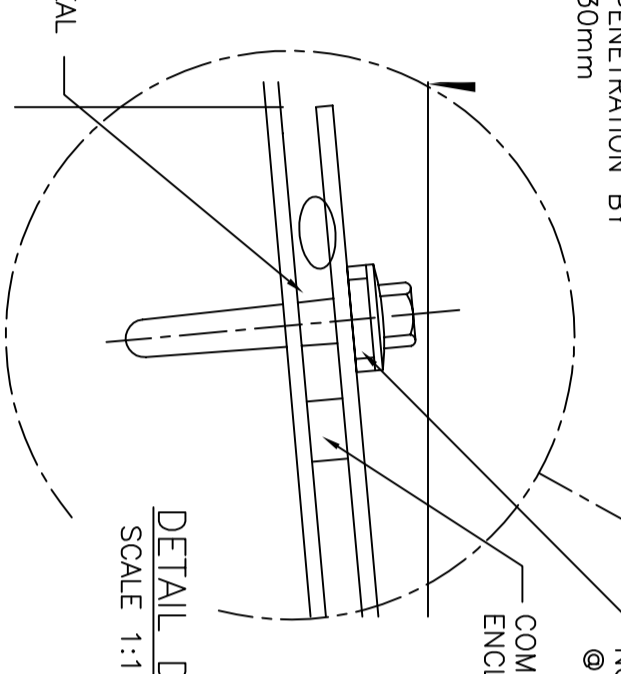
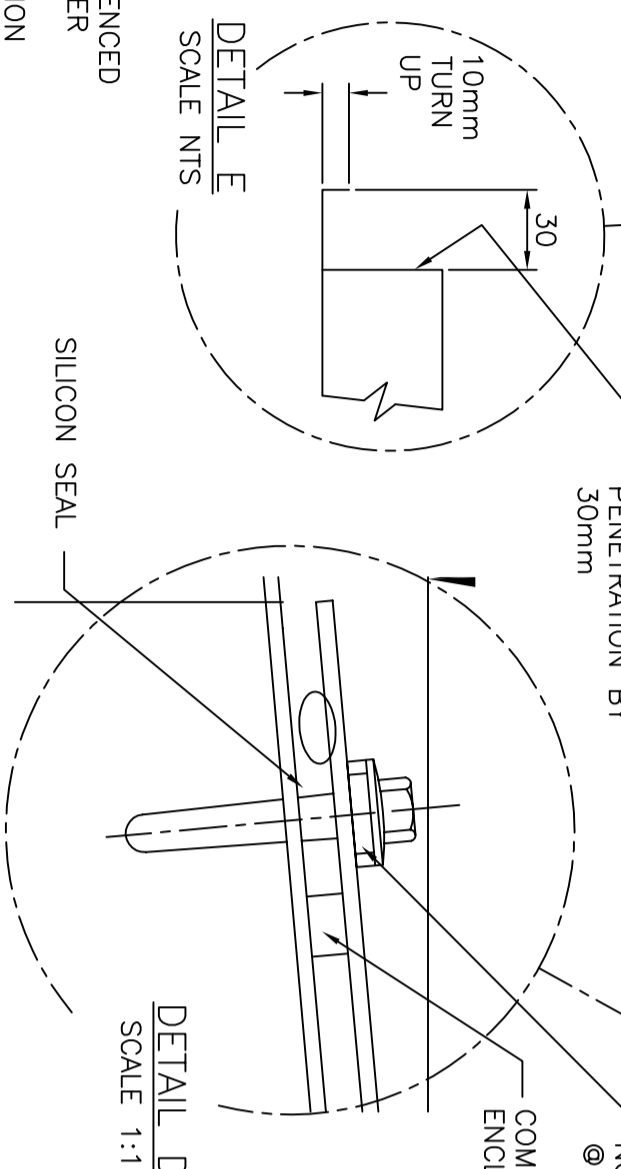
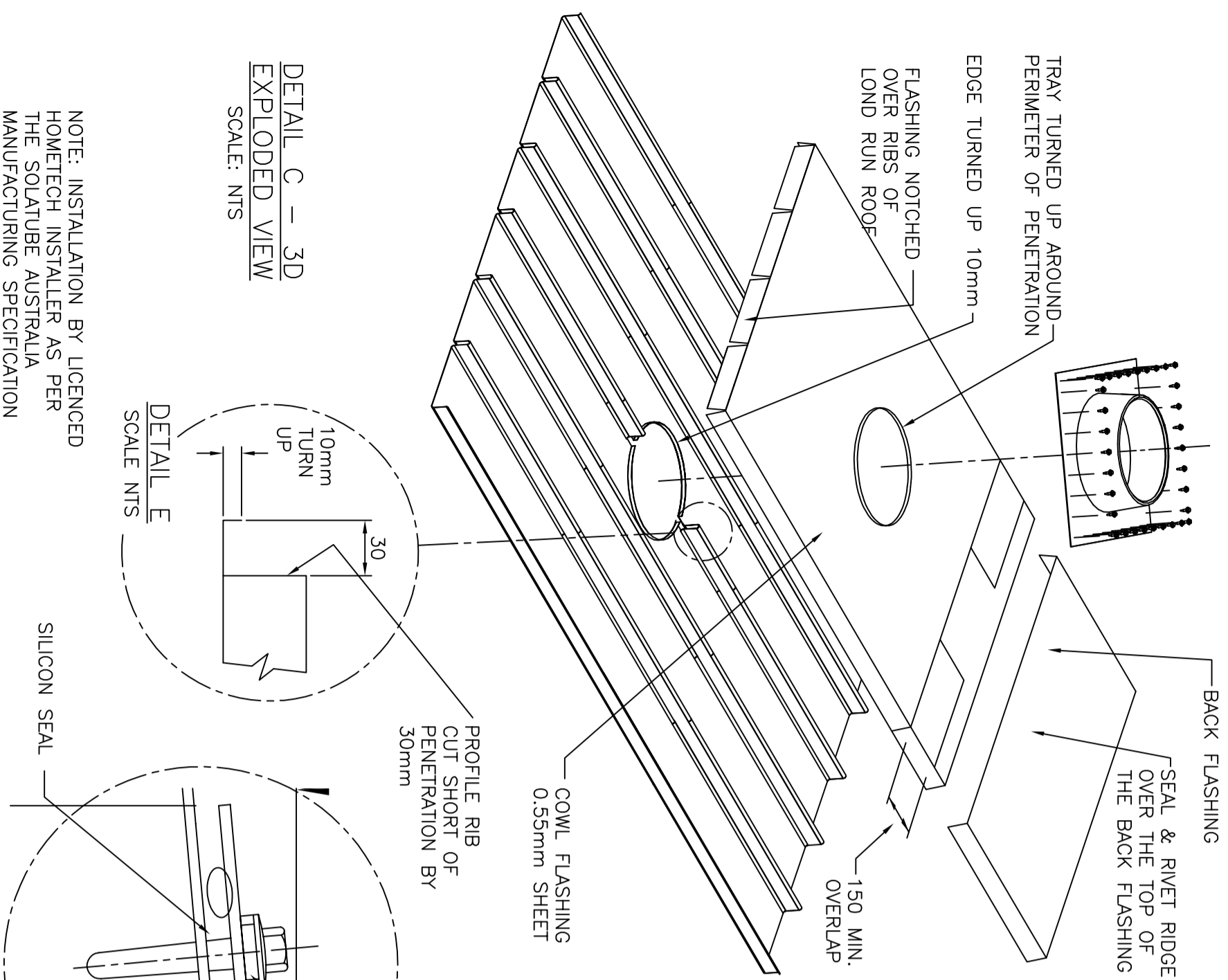
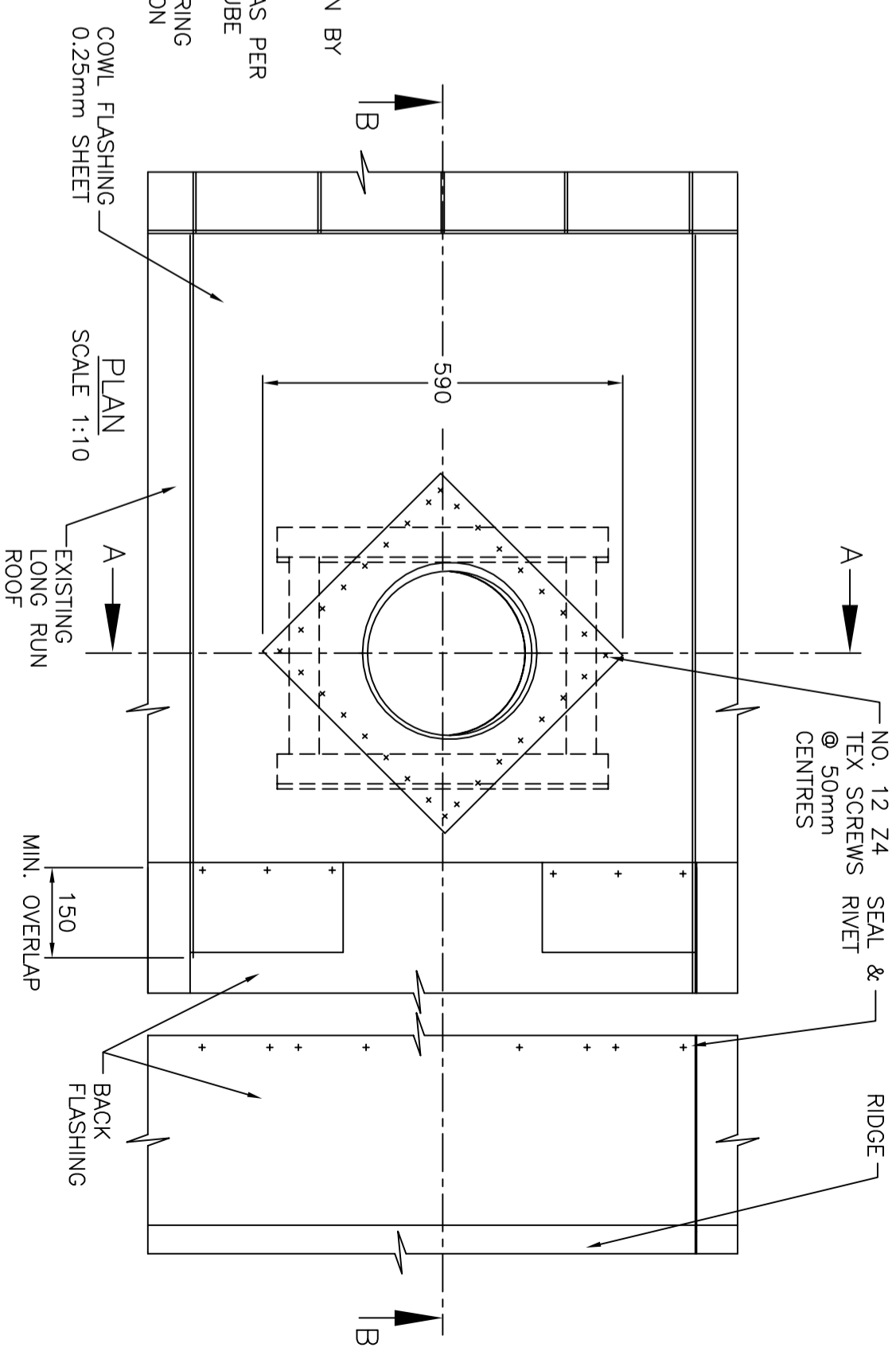


NOTE: INSTALLATION BY LICENCED HOMETECH INSTALLER AS PER THE SOLATUBE AUSTRALIA MANUFACTURING SPECIFICATION



NOTE: INSTALLATION BY LICENCED HOMETECH INSTALLER AS PER THE SOLATUBE AUSTRALIA MANUFACTURING SPECIFICATION



NOTE: INSTALLATION BY LICENCED HOMETECH INSTALLER AS PER THE SOLATUBE AUSTRALIA MANUFACTURING SPECIFICATION

SECTION B-B SCALE 1:5

NOTE: INSTALLATION BY LICENCED HOMETECH INSTALLER AS PER THE SOLATUBE AUSTRALIA MANUFACTURING SPECIFICATION

| DATE     | APPROVED | DATE     | DATE     | DATE     |
|----------|----------|----------|----------|----------|
| 15/09/09 | PN       | 15/09/09 | 15/09/09 | 15/09/09 |

| DRAWN    | PCR  | REVISION | A              |
|----------|------|----------|----------------|
| 15/09/09 | PN   | SCALE    | 1:5, 1:10, NTS |
| DATE     | DATE | DWG NO.  | 160DS-ST       |