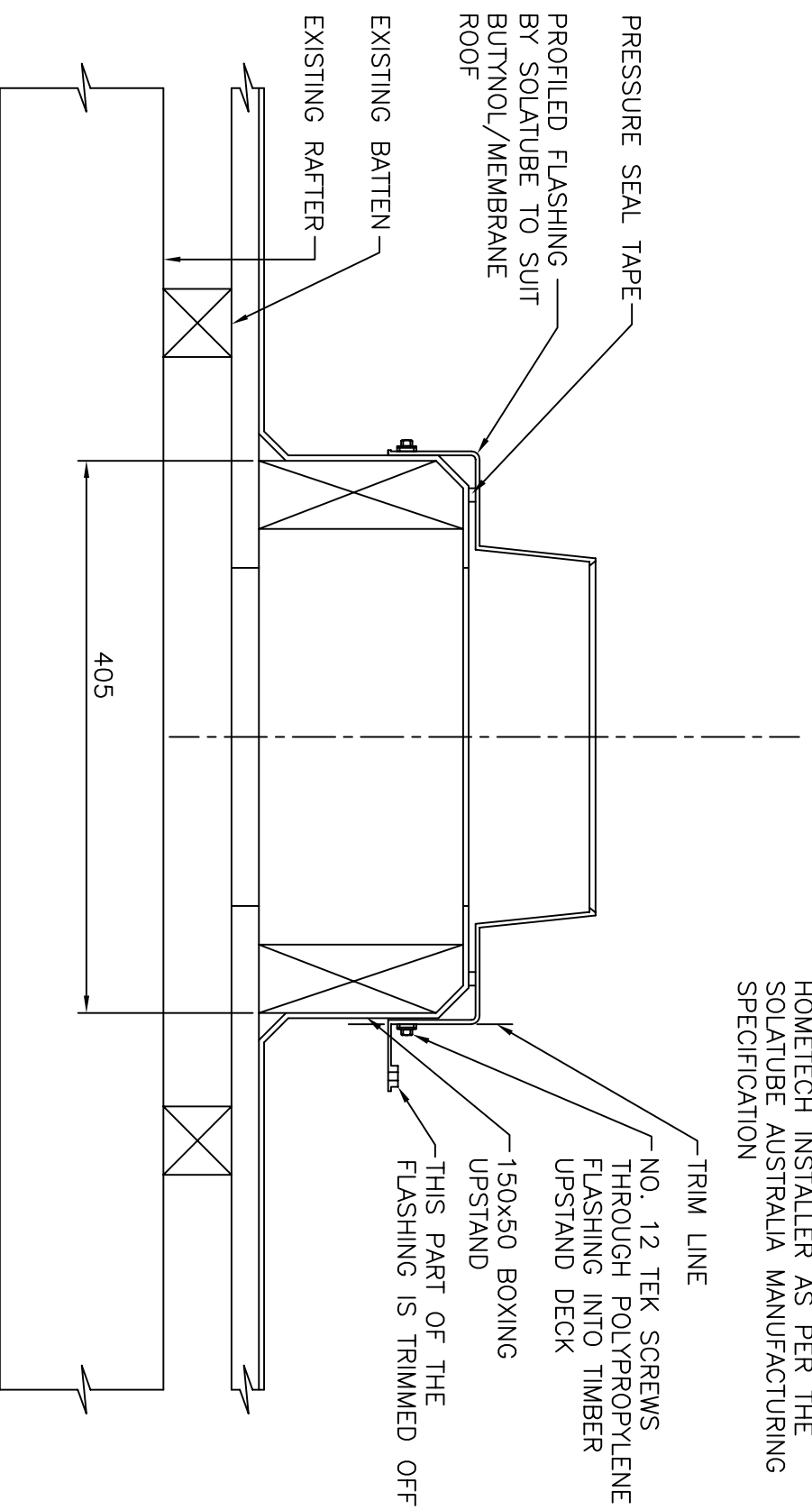
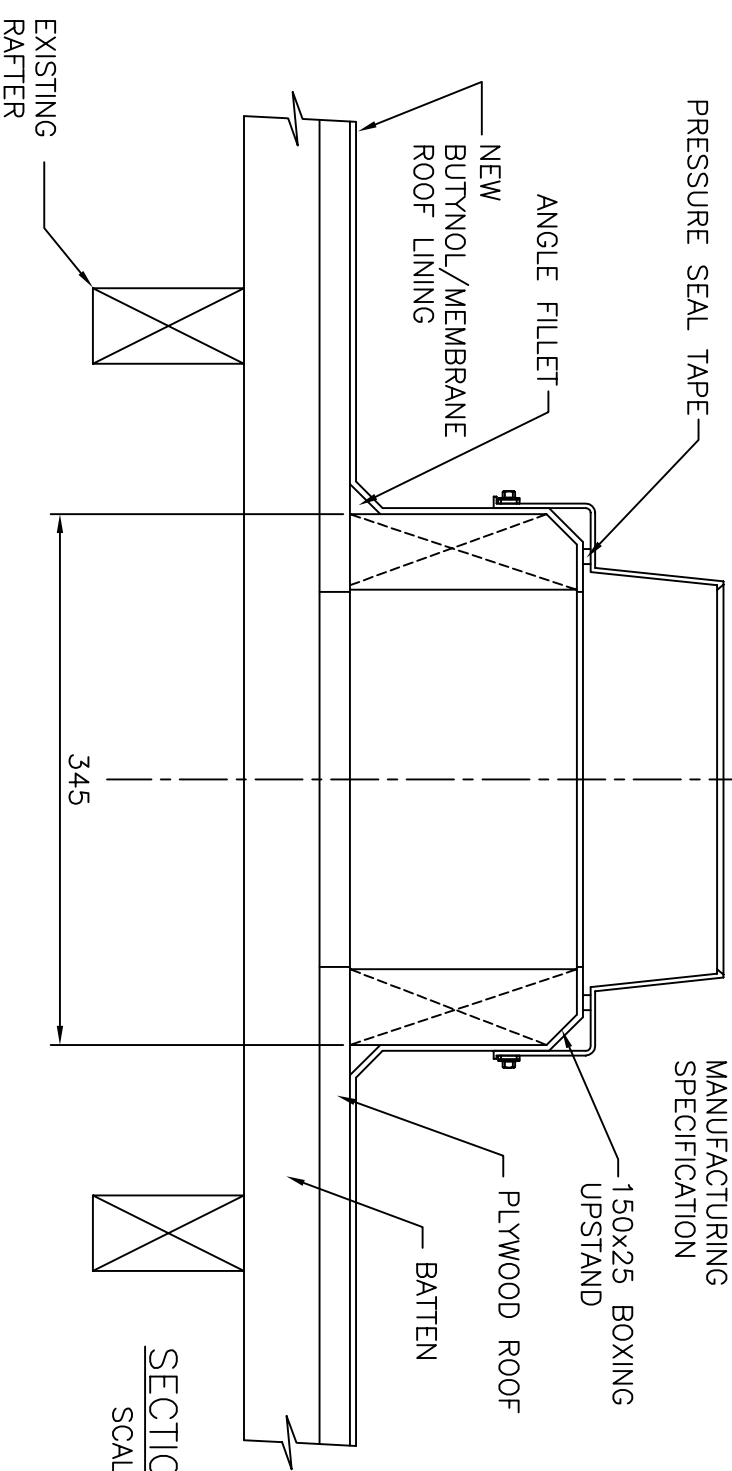


NOTE:  
 INSTALLATION BY  
 LICENCED  
 HOMETECH  
 INSTALLER AS PER  
 THE SOLATUBE  
 AUSTRALIA  
 MANUFACTURING  
 SPECIFICATION

PLAN  
 SCALE 1:10



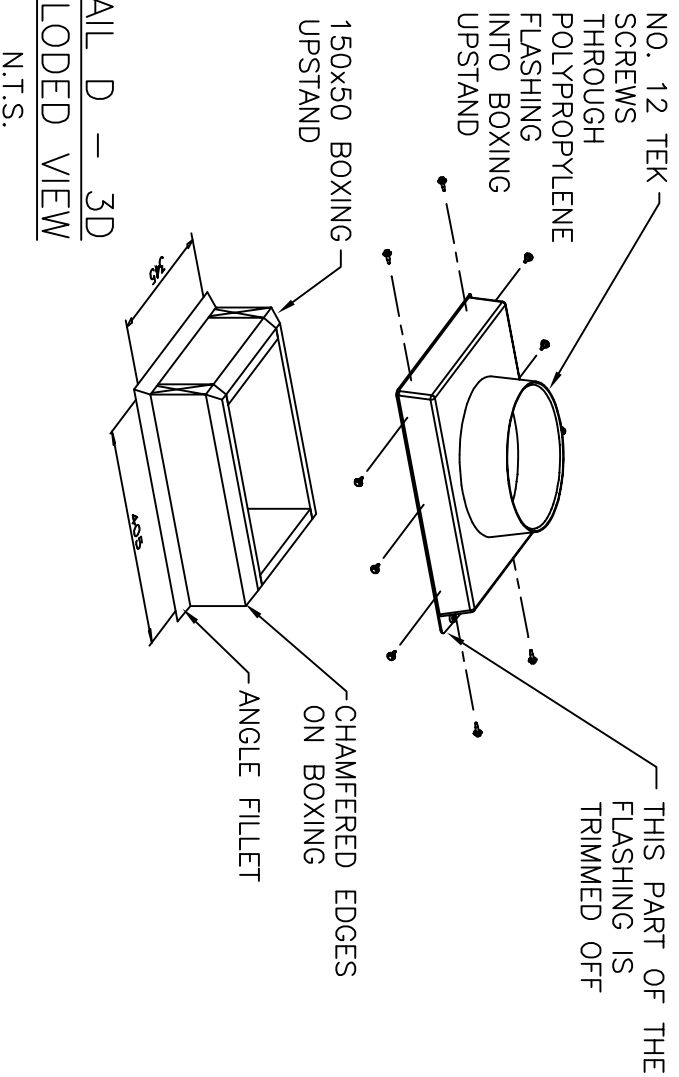
NOTE: INSTALLATION BY LICENCED  
 HOMETECH INSTALLER AS PER THE  
 SOLATUBE AUSTRALIA MANUFACTURING  
 SPECIFICATION



NOTE: INSTALLATION BY  
 LICENCED HOMETECH  
 INSTALLER AS PER THE  
 SOLATUBE AUSTRALIA  
 MANUFACTURING  
 SPECIFICATION

SECTION A-A  
 SCALE 1:5

DETAIL D - 3D  
 EXPLODED VIEW  
 N.T.S.



DRAWN	PCR	REVISION	A
DATE	15/09/09	SCALE	1:5, 1:10, NTS
APPROVED	PN	DWG NO.	160DS-UF1
DATE	15/09/09		