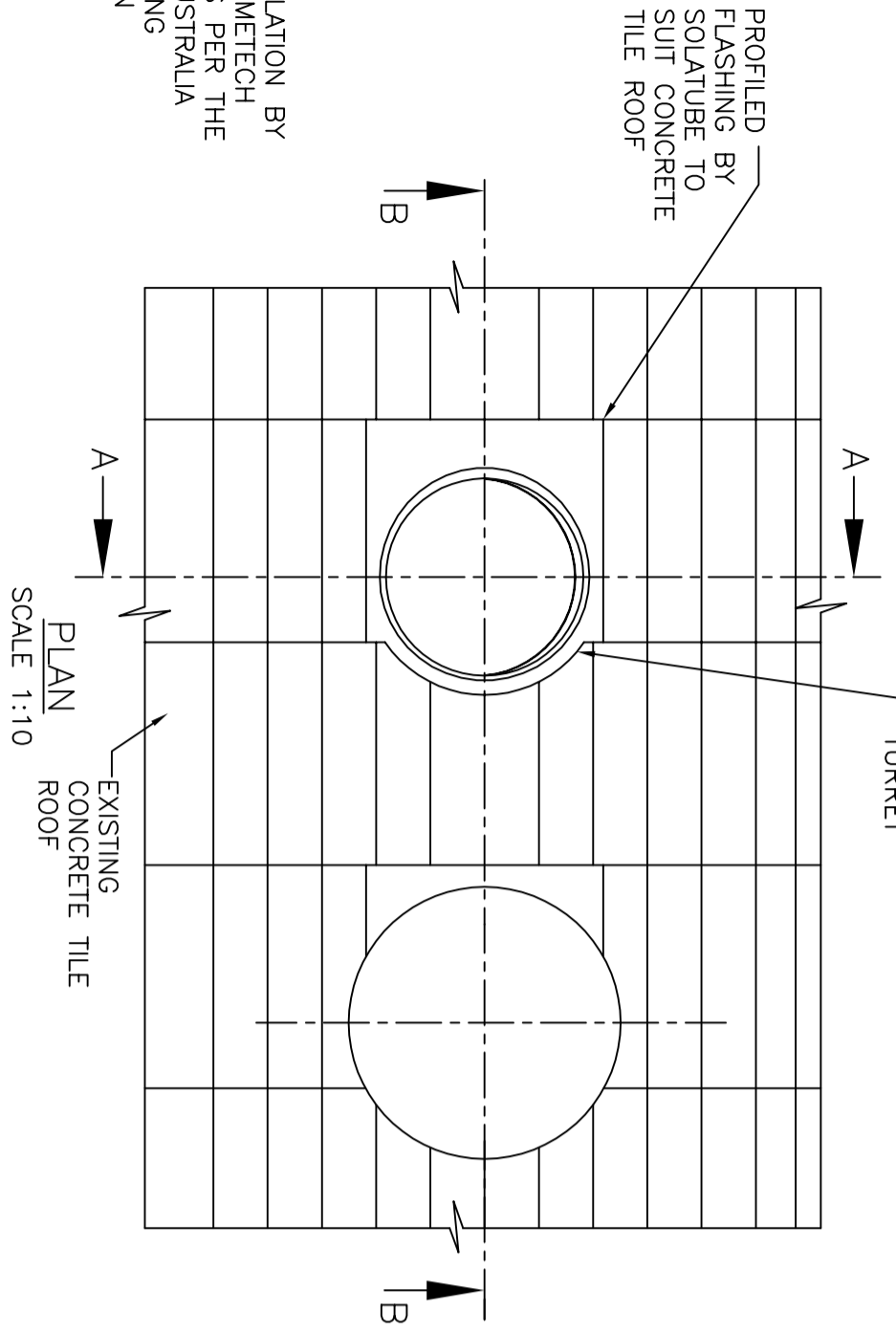


3D FLASHING VIEW - DETAIL D
SCALE N.T.S.



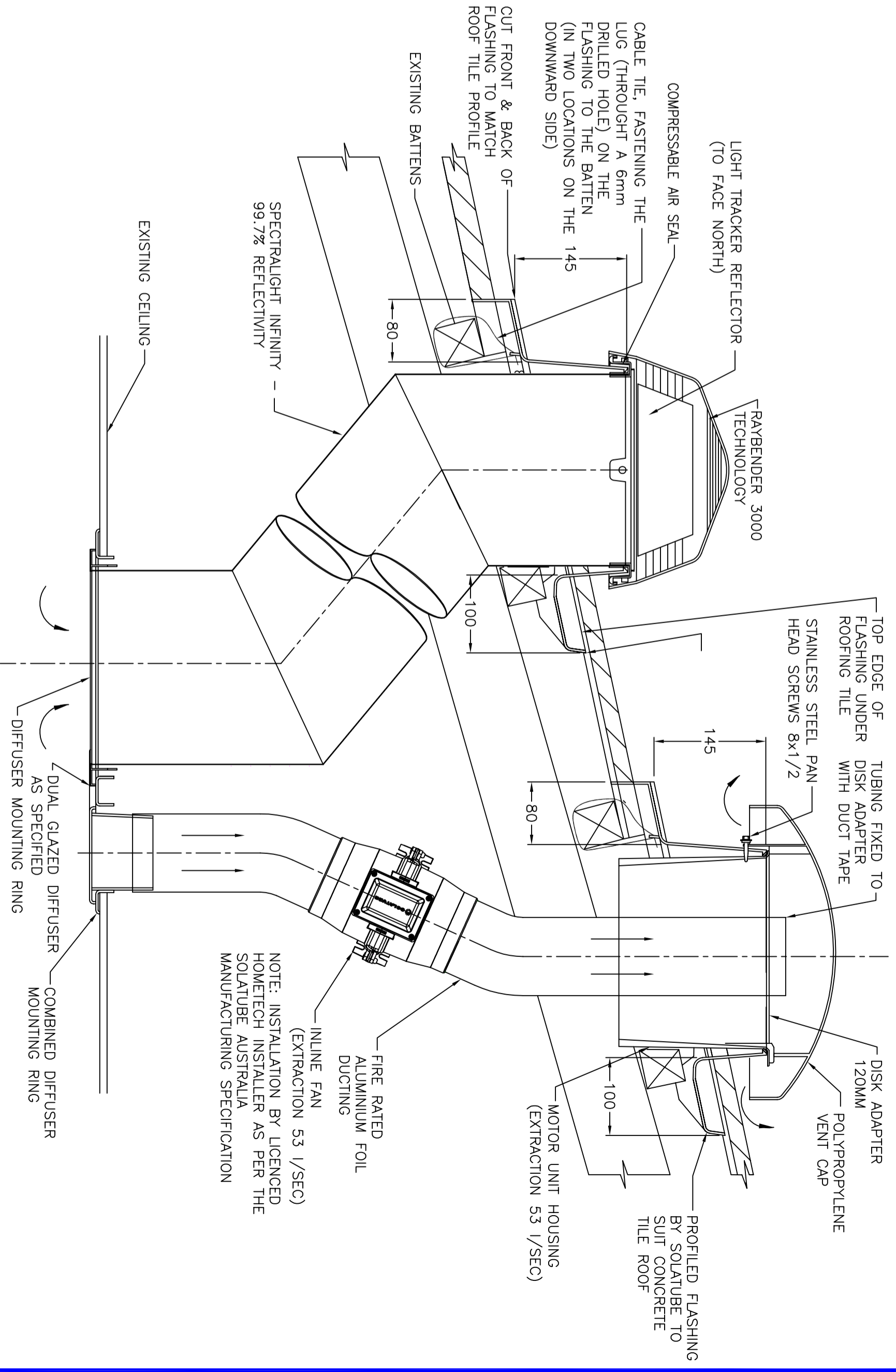
PLAN
SCALE 1:10

NOTE: INSTALLATION BY LICENCED HOMETECH INSTALLER AS PER THE SOLATUBE AUSTRALIA MANUFACTURING SPECIFICATION

ROOF TILES ARE CUT BACK TO LEAVE A 10mm GAP BETWEEN THE TILE AND THE TURRET

PROFILED FLASHING BY SOLATUBE TO SUIT CONCRETE TILE ROOF

SOLATUBE 160DS (250MM) TUBULAR DAYLIGHTING DEVICE (TDD) WITH VENTILATION ADD ON
INSTALLATION FOR CONCRETE TILE ROOF
INSTALLATION: INSTALLED BY A LICENCED HOMETECH INSTALLER AS PER THE SOLATUBE AUSTRALIA MANUFACTURING SPECIFICATION



SECTION B-B
SCALE 1:5

SECTION A-A
SCALE 1:5

SECTION A-A
SCALE 1:5

PLEASE NOTE THE VENTILATION DETAILS HAVE BEEN OMITTED FROM THIS VIEW

NOTE: INSTALLATION BY LICENCED HOMETECH INSTALLER AS PER THE SOLATUBE AUSTRALIA MANUFACTURING SPECIFICATION

NOTE: INSTALLATION BY LICENCED HOMETECH INSTALLER AS PER THE SOLATUBE AUSTRALIA MANUFACTURING SPECIFICATION

DRAWN	PCR	REVISION	A
DATE	20/10/09	SCALE	1:5, 1:10, N.T.S.
APPROVED	PN	DWG NO.	160DS-V-C0
DATE	20/10/09		