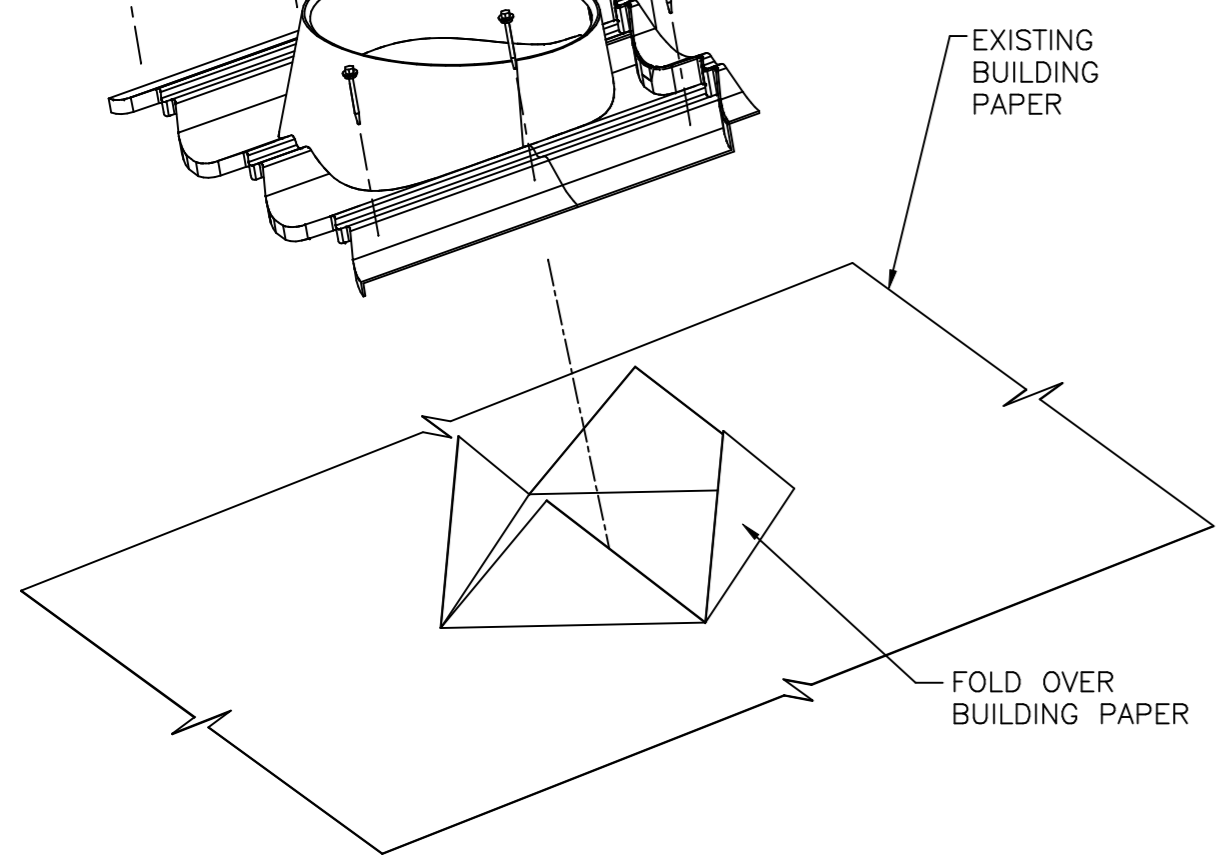
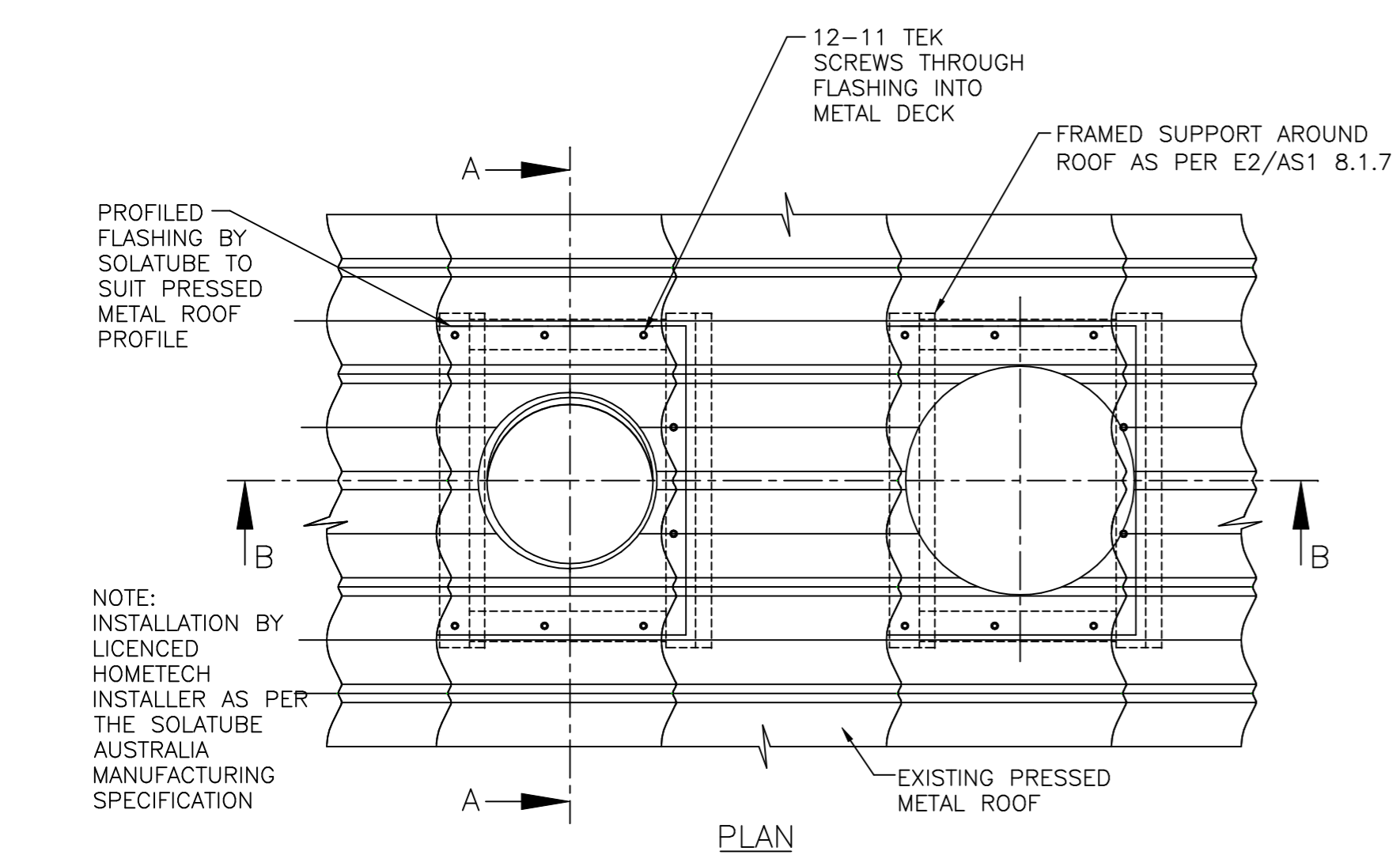


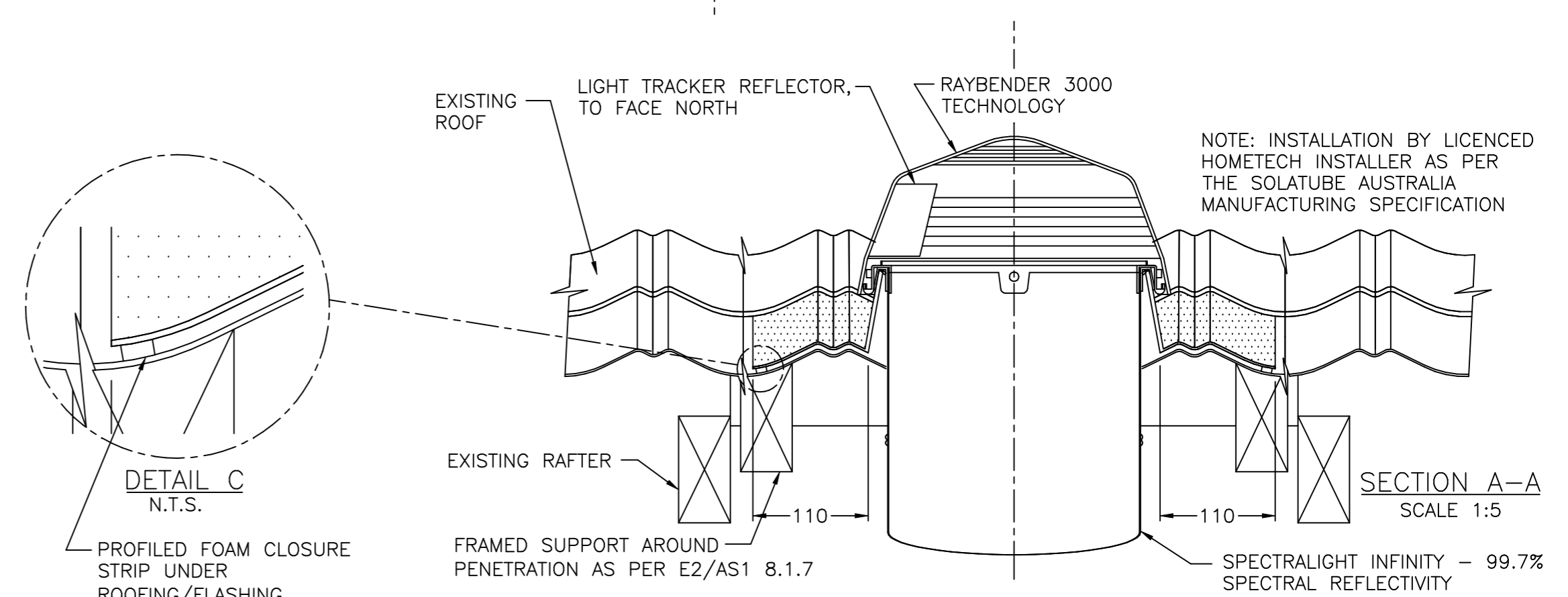
SECTION B-B
SCALE 1:5



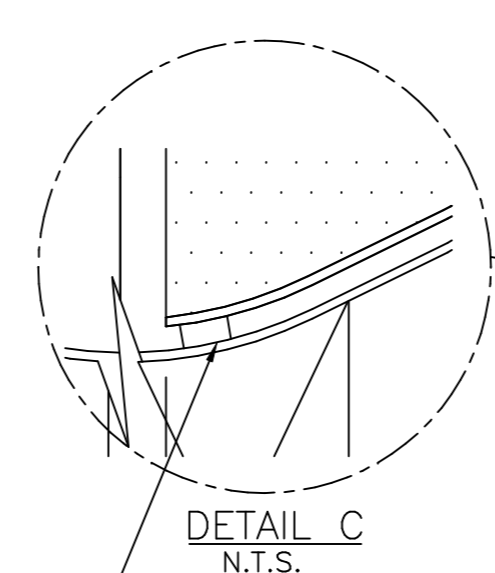
DETAIL D - 3D EXPLODED VIEW
N.T.S.



PLAN
N.T.S.



SECTION A-A
SCALE 1:5



DETAIL C
N.T.S.

DRAWN	PCR	REVISION	A
DATE	20/10/09	SCALE	1:5,1:10,NTS
APPROVED	PN	DWG NO.	
DATE	20/10/09		160DS-V-D