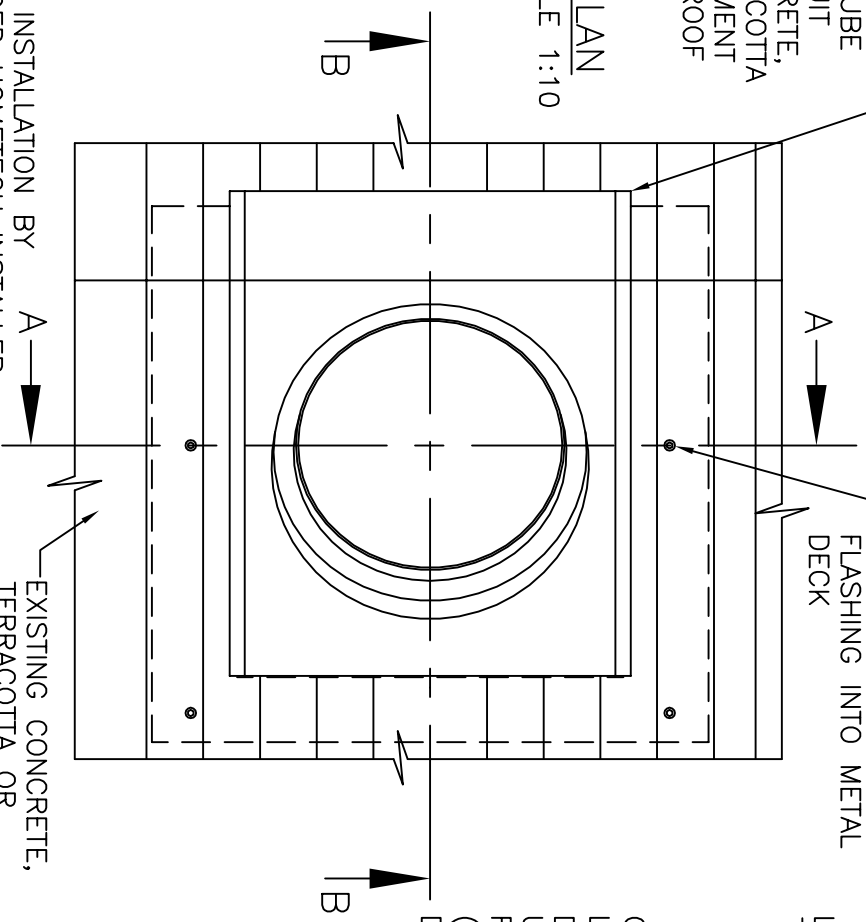
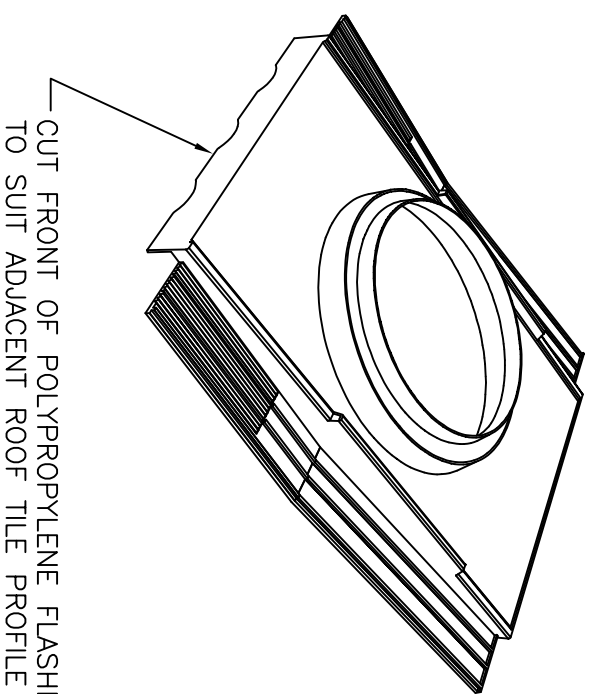


PROFILED FLASHING BY SOLATUBE TO SUIT CONCRETE, TERRACOTTA & CEMENT TILE ROOF

PLAN
SCALE 1:10



NOTE: INSTALLATION BY LICENCED HOMETECH INSTALLER AS PER THE SOLATUBE AUSTRALIA MANUFACTURING SPECIFICATION



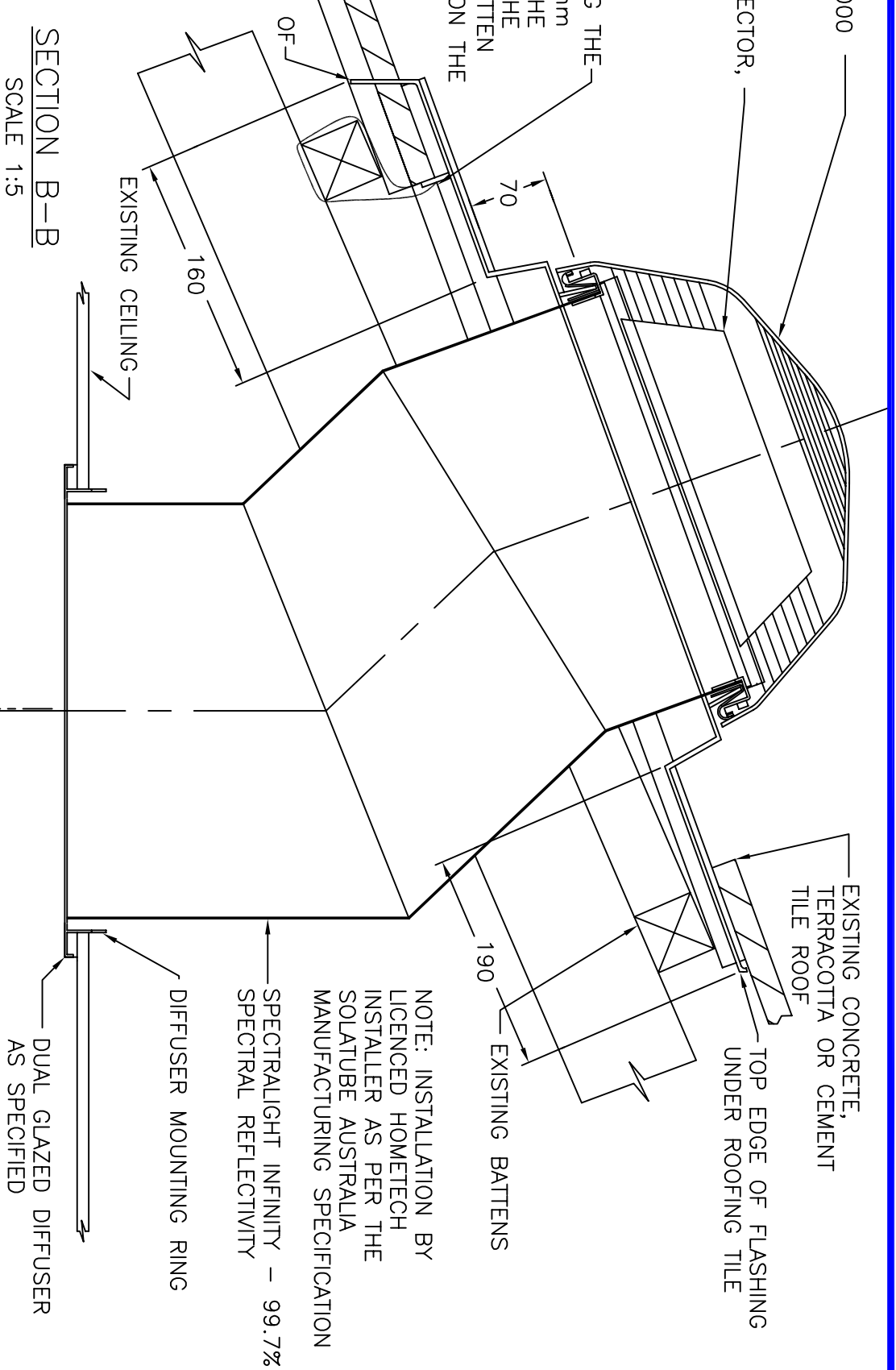
3D FLASHING VIEW - DETAIL D
SCALE N.T.S.

RAYBENDER 3000 TECHNOLOGY
LIGHT TRACKER REFLECTOR, TO FACE NORTH

CABLE TIE, FASTENING THE LUG (THROUGH A 6mm DRILLED HOLE) ON THE UNDERSIDE RIB OF THE FLASHING TO THE BATTEN (IN TWO LOCATIONS ON THE DOWNWARD SIDE)

CUT FRONT & BACK OF FLASHING TO MATCH ROOF TILE PROFILE

SECTION B-B
SCALE 1:5



NOTE: INSTALLATION BY LICENCED HOMETECH INSTALLER AS PER THE SOLATUBE AUSTRALIA MANUFACTURING SPECIFICATION

SPECTRALIGHT INFINITY - 99.7% SPECTRAL REFLECTIVITY

DIFFUSER MOUNTING RING

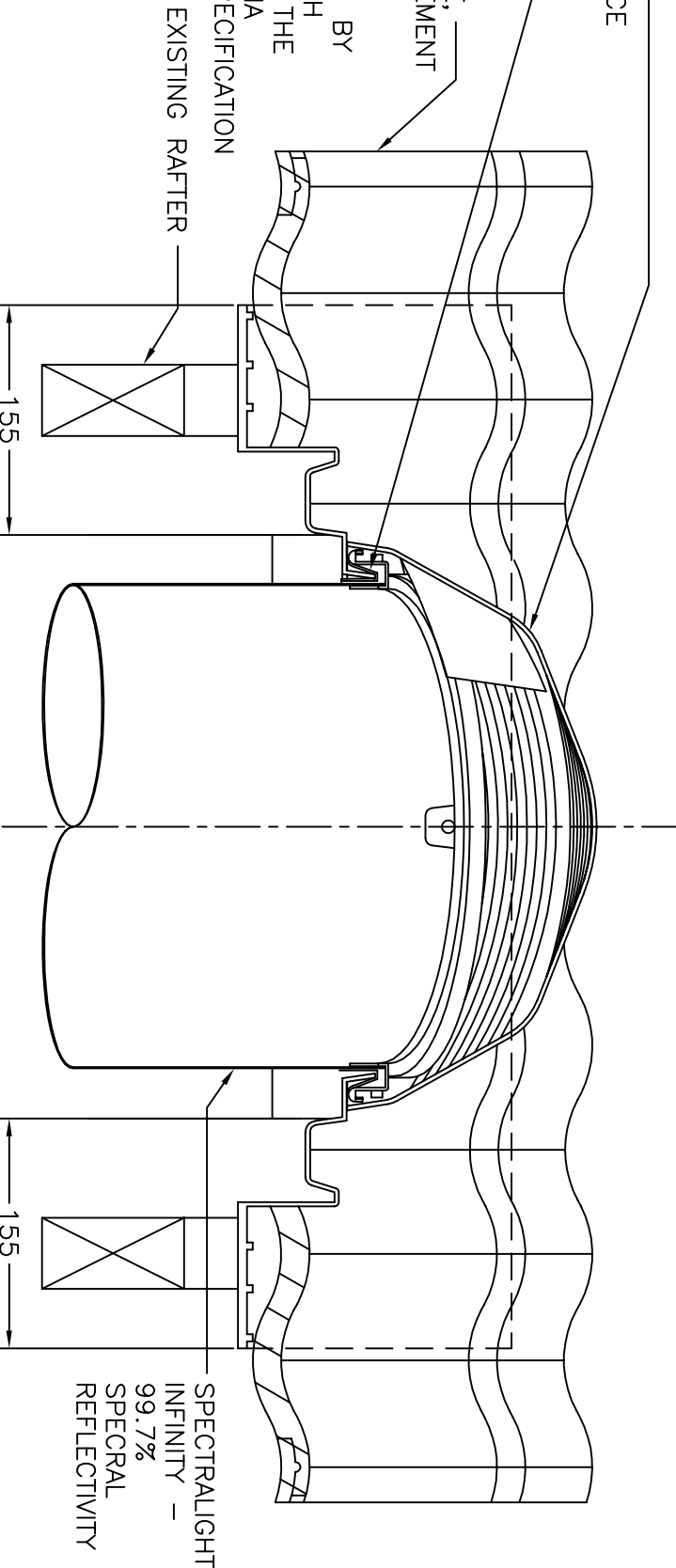
DUAL GLAZED DIFFUSER AS SPECIFIED

EXISTING CONCRETE, TERRACOTTA OR CEMENT TILE ROOF
TOP EDGE OF FLASHING UNDER ROOFING TILE

LIGHT TRACKER REFLECTOR (TO FACE NORTH)
COMPRESSABLE AIR SEAL
EXISTING CONCRETE, TERRACOTTA OR CEMENT TILE ROOF

NOTE: INSTALLATION BY LICENCED HOMETECH INSTALLER AS PER THE SOLATUBE AUSTRALIA MANUFACTURING SPECIFICATION

SECTION A-A
SCALE 1:5



SPECTRALIGHT INFINITY - 99.7% SPECTRAL REFLECTIVITY

| | | | |
|----------|---------|----------|-------------------|
| DRAWN | PCR | REVISION | B |
| DATE | 25/9/09 | SCALE | 1:5, 1:10, N.T.S. |
| APPROVED | PN | DWG NO. | 290DS-CO |
| DATE | 25/9/09 | | |