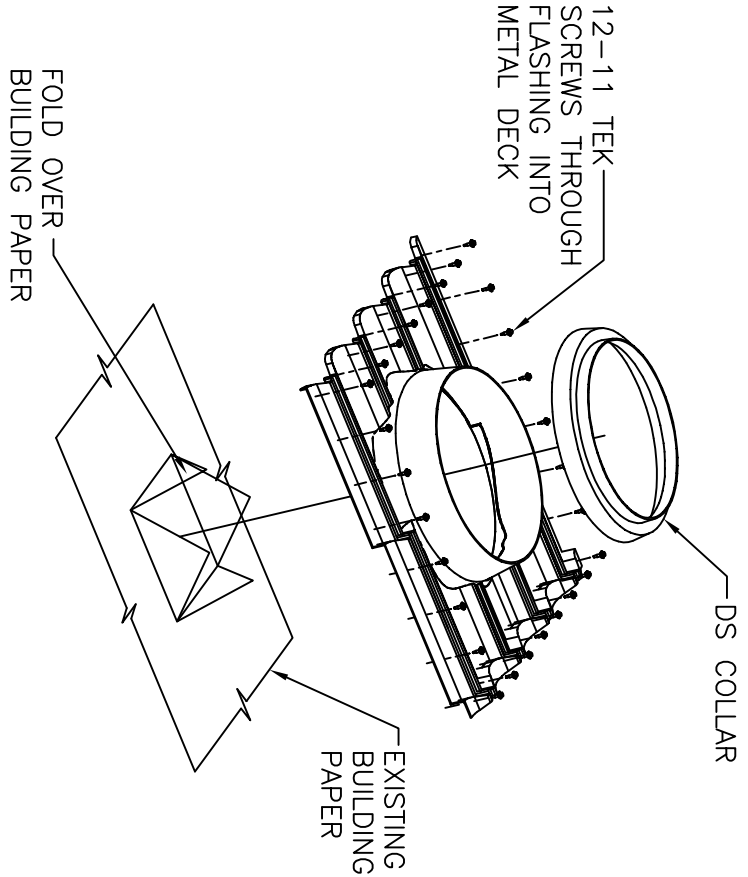
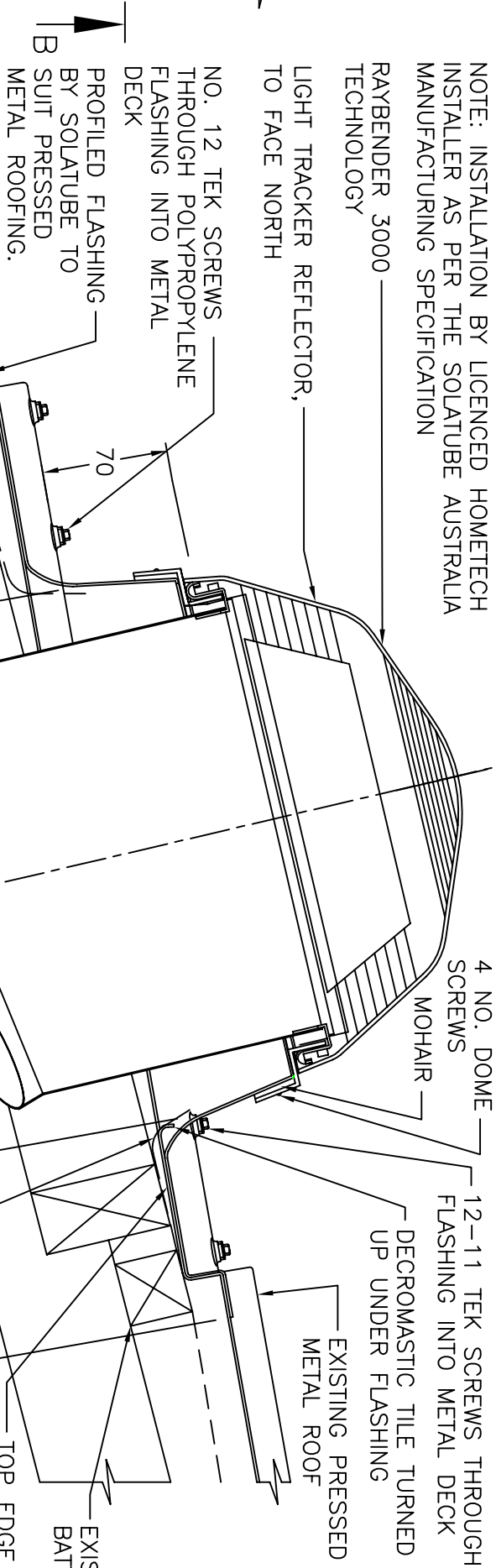


NOTE: INSTALLATION BY LICENCED HOMETECH INSTALLER AS PER THE SOLATUBE AUSTRALIA MANUFACTURING SPECIFICATION

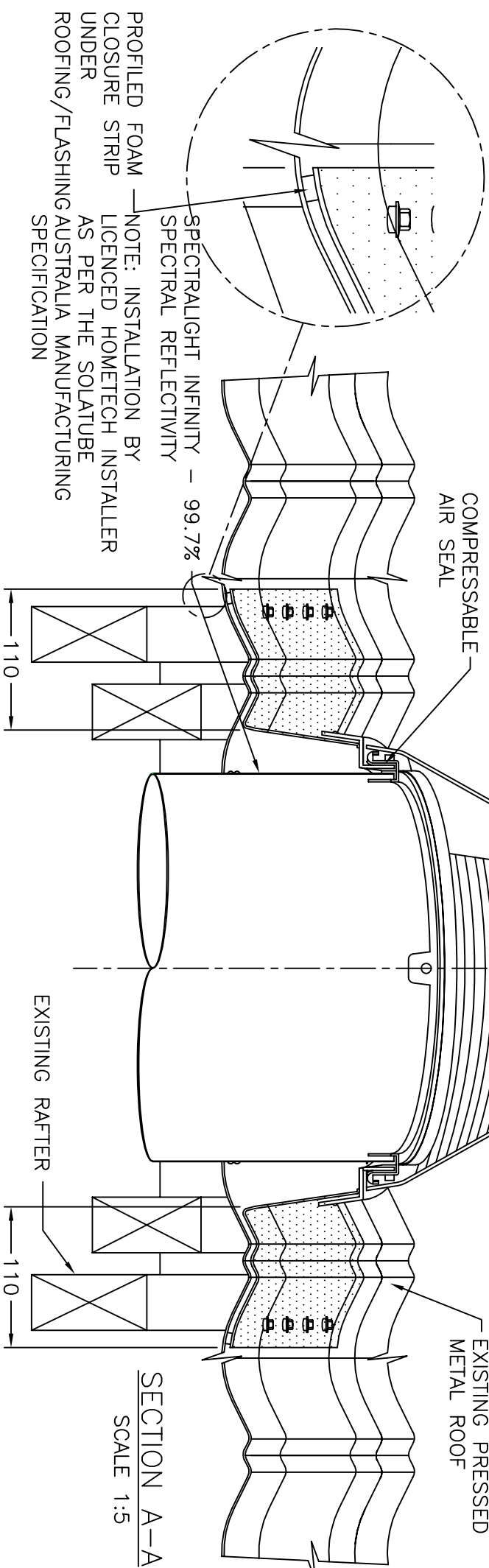
PLAN
SCALE 1:10



DETAIL D - 3D EXPLODED VIEW
N.T.S.



SECTION B-B
SCALE 1:5



SECTION A-A
SCALE 1:5

HOMETECH
HEALTHY HOME SOLUTIONS
PHONE: 0800 466-383
WEB: www.solatube.co.nz

SOLATUBE
Innovation in Daylighting™
Copyright Trademarks and Patents registered.
Authorized Distributor
Homotech Limited, New Zealand.

SOLATUBE 290DS (350Ø) TUBULAR DAYLIGHTING DEVICE (TDD)
INSTALLATION FOR PRESSED METAL ROOF e.g. DECROBOND
INSTALLATION: INSTALLED BY A LICENCED HOMETECH INSTALLER AS PER THE SOLATUBE AUSTRALIA MANUFACTURING SPECIFICATION

DRAWN	PCR	REVISION	B
DATE	25/9/09	SCALE	1:5, 1:10, N.T.S.
APPROVED	PN	DWG NO.	290DS-D
DATE	25/9/05		

© 2009 HomeTech Ltd