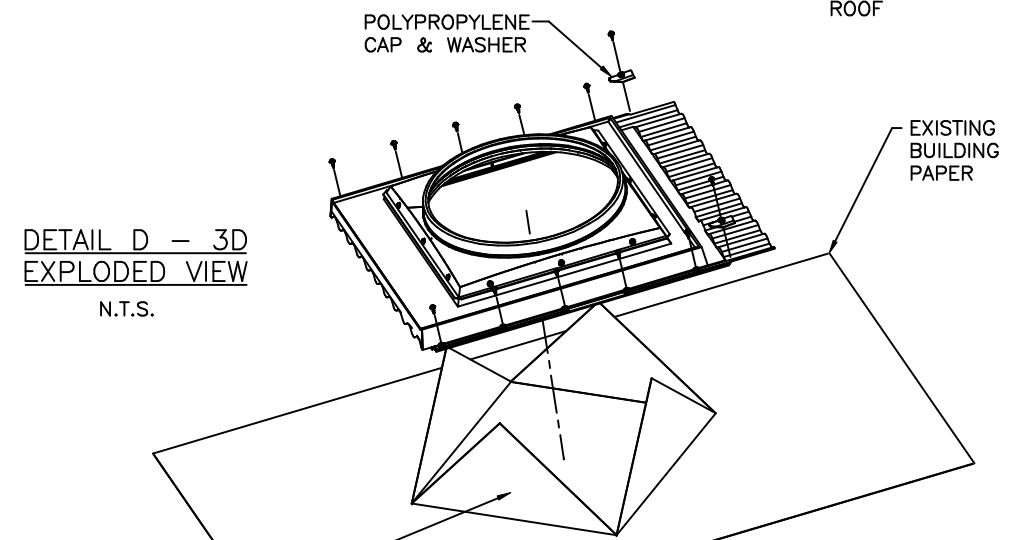
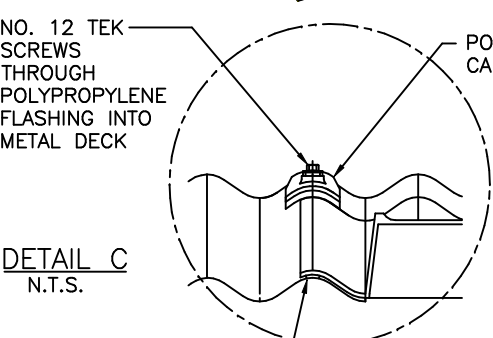


NOTE: INSTALLATION BY LICENCED HOMETECH INSTALLER AS PER THE SOLATUBE AUSTRALIA MANUFACTURING SPECIFICATION

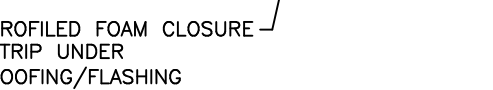
PLAN
SCALE 1:10
EXISTING CORRUGATED IRON/LONG RUN ROOF



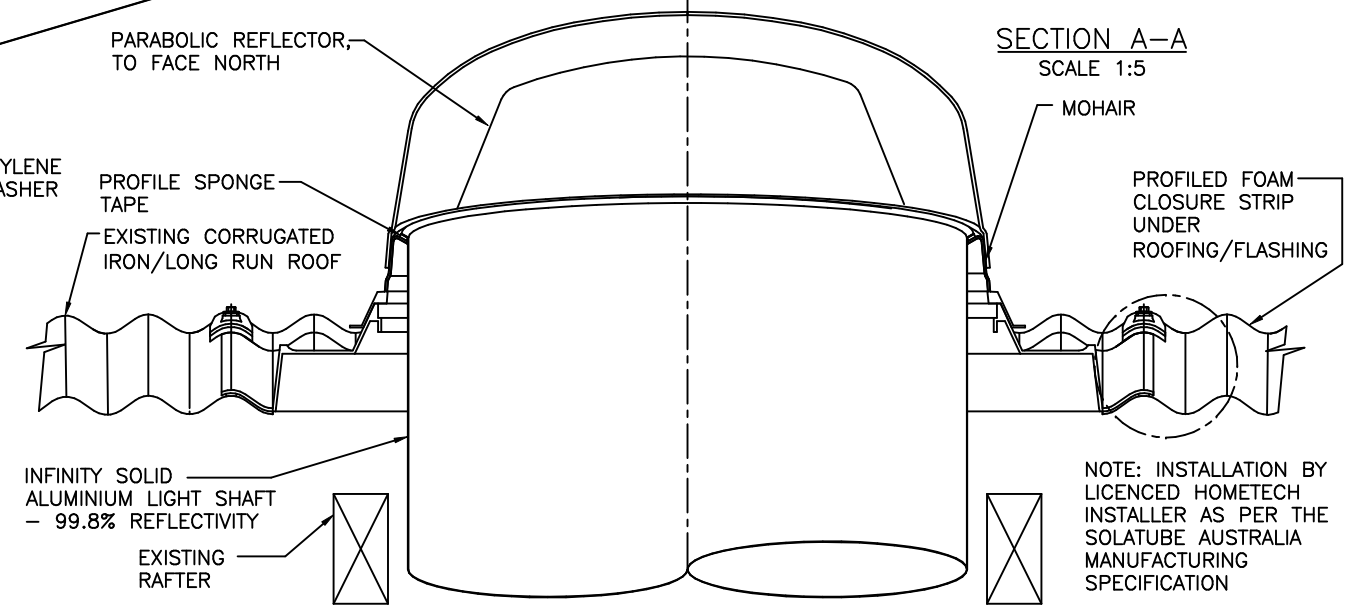
DETAIL D - 3D EXPLODED VIEW
N.T.S.



DETAIL C
N.T.S.

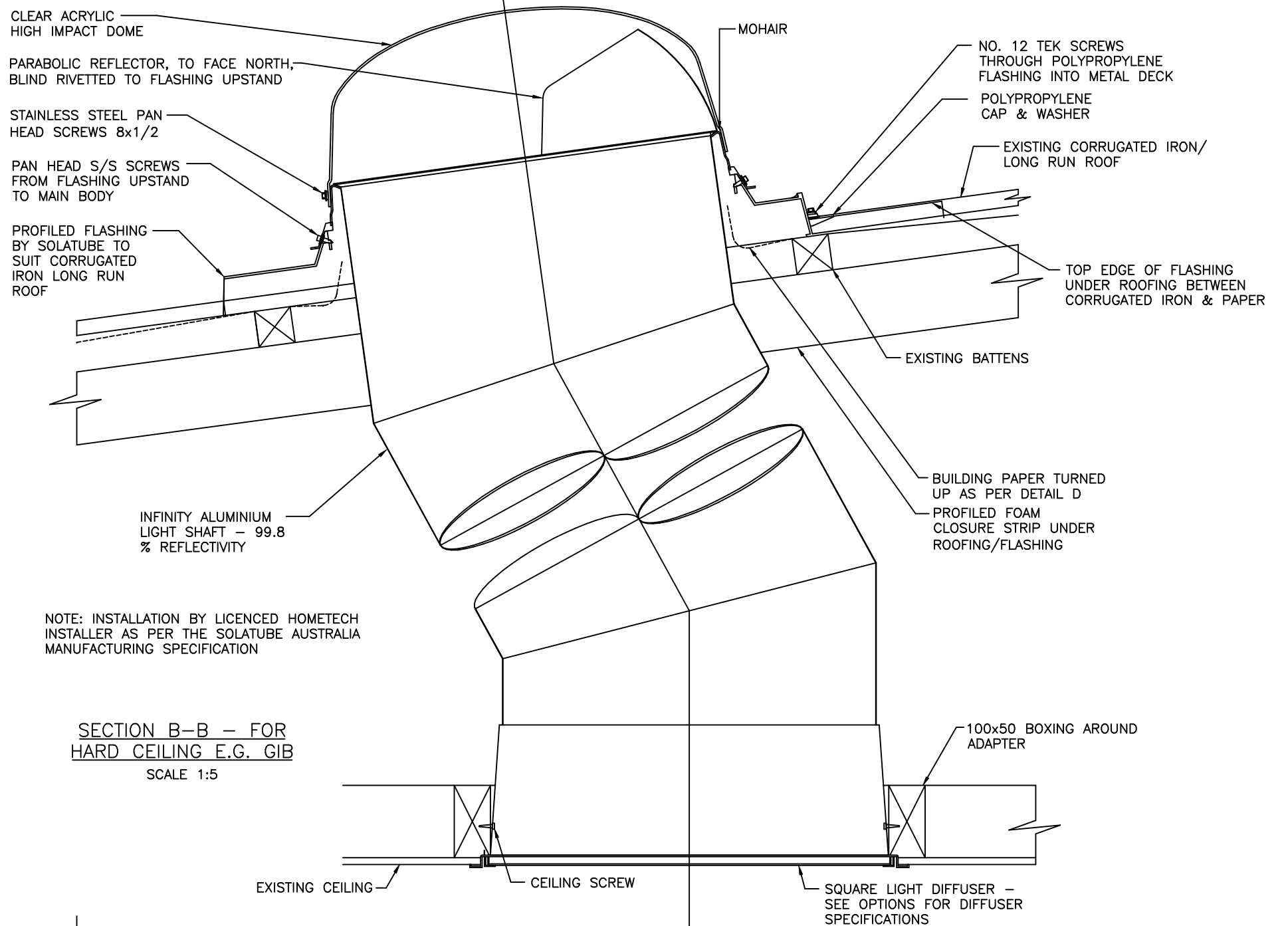


PROFILED FOAM CLOSURE STRIP UNDER ROOFING/FLASHING



SECTION A-A
SCALE 1:5

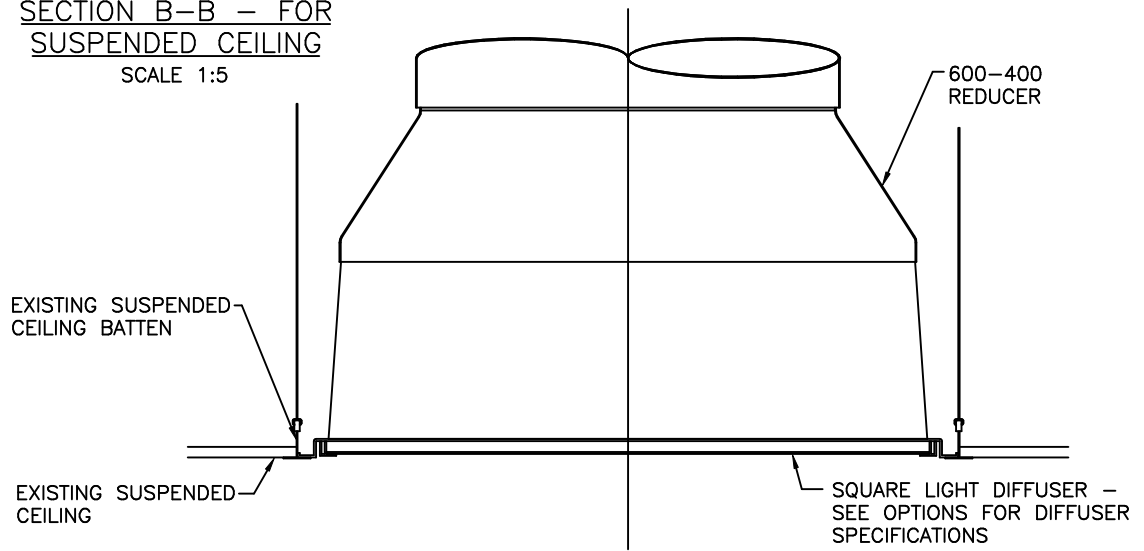
NOTE: INSTALLATION BY LICENCED HOMETECH INSTALLER AS PER THE SOLATUBE AUSTRALIA MANUFACTURING SPECIFICATION



SECTION B-B - FOR HARD CEILING E.G. GIB
SCALE 1:5

NOTE: INSTALLATION BY LICENCED HOMETECH INSTALLER AS PER THE SOLATUBE AUSTRALIA MANUFACTURING SPECIFICATION

SECTION B-B - FOR SUSPENDED CEILING
SCALE 1:5



SOLAMASTER 330DS-OC (530MM) TUBULAR DAYLIGHTING DEVICE WITH 600x600 SQUARE DIFFUSER
 INSTALLATION FOR CORRUGATED IRON/LONG RUN ROOF WITH HARD CEILING (e.g. GIB) AND SUSPENDED CEILING
 INSTALLATION: INSTALLED BY A LICENCED HOMETECH INSTALLER AS PER THE SOLATUBE AUSTRALIA MANUFACTURING SPECIFICATION © 2005 HomeTech Ltd

DRAWN	PCR	REVISION	A
DATE	10/11/09	SCALE	1:5,1:10,NTS
APPROVED	PN	DWG NO.	330DS-CC-C
DATE	10/11/09		