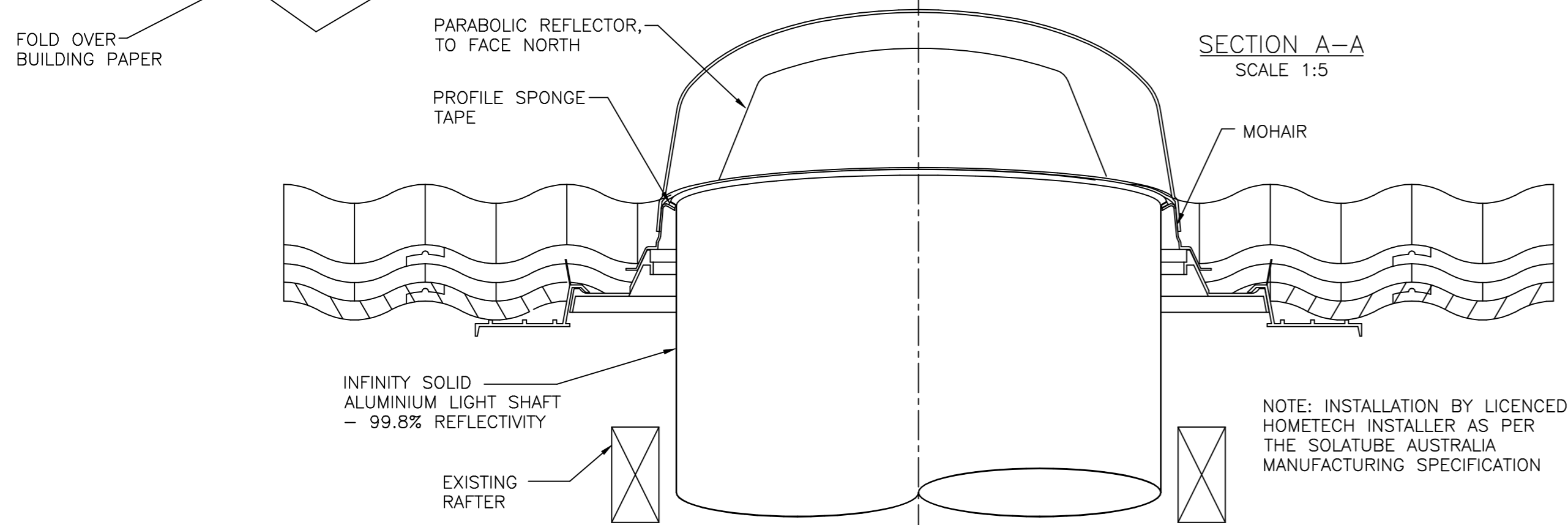
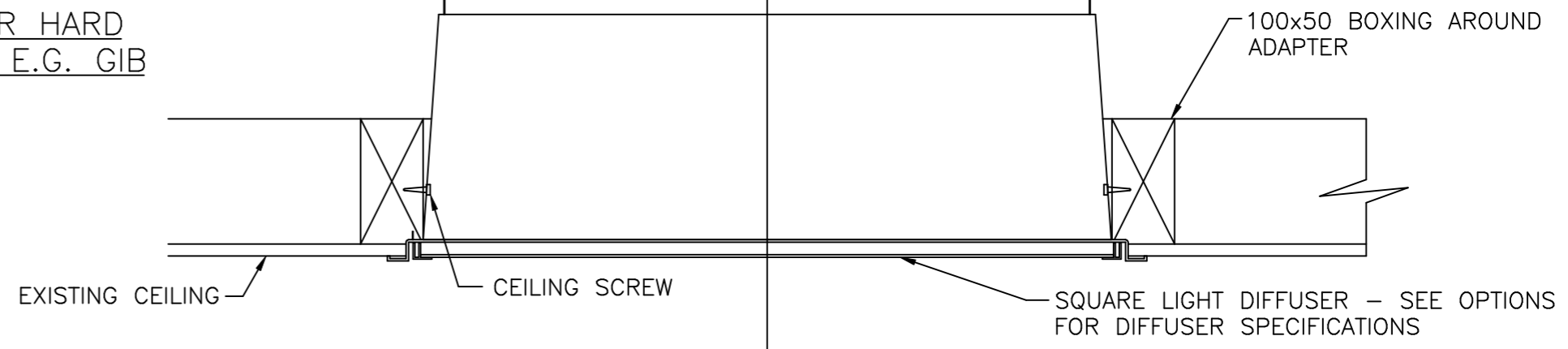
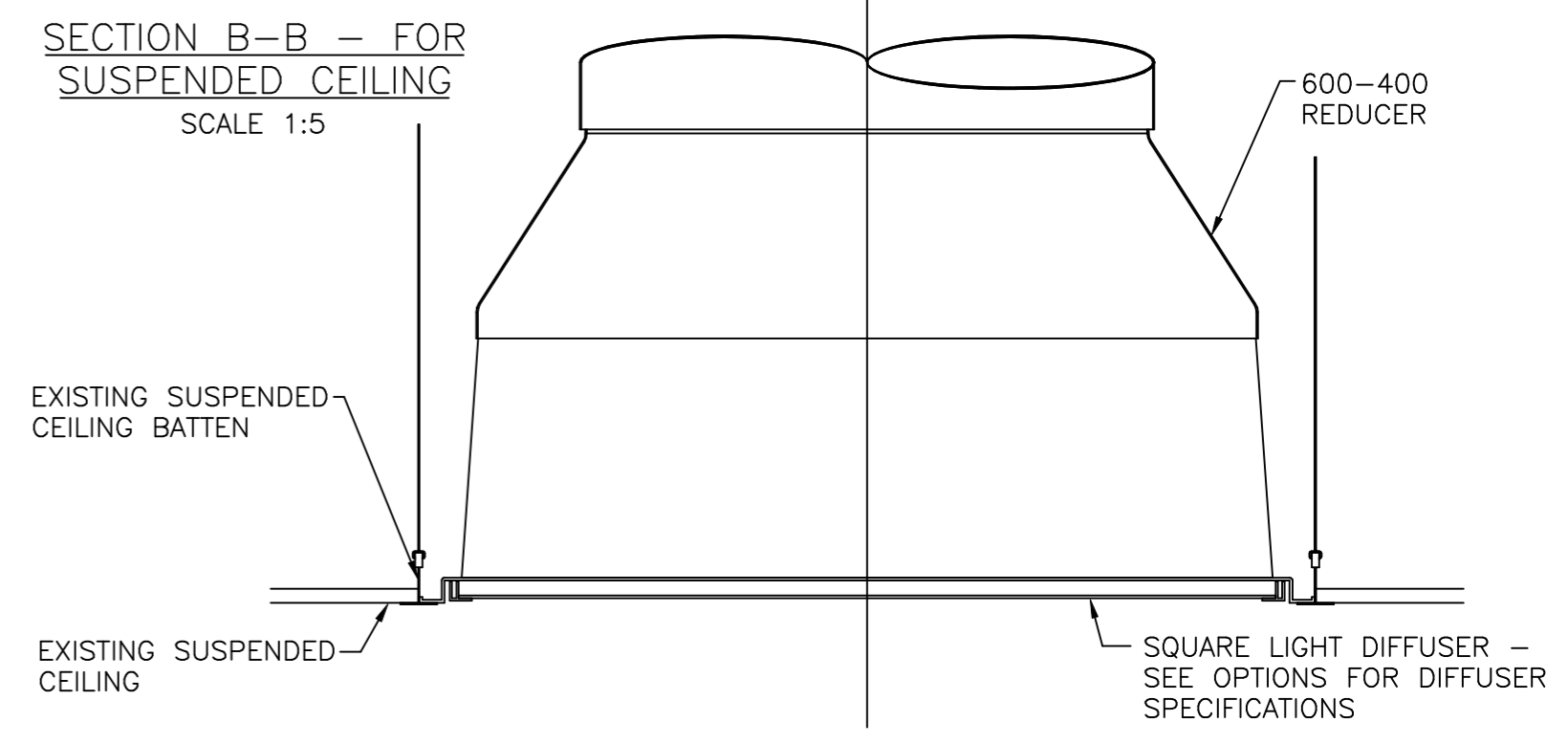


NOTE: INSTALLATION BY LICENCED HOMETECH INSTALLER AS PER THE SOLATUBE AUSTRALIA MANUFACTURING SPECIFICATION

SECTION B-B - FOR HARD CEILING INSTALLATION E.G. GIB
SCALE 1:5



SECTION B-B - FOR SUSPENDED CEILING
SCALE 1:5



HOMETECH
HEALTHY HOME SOLUTIONS
PHONE: 0800 466-383
WEB: www.solatube.co.nz

SOLATUBE.
Innovation in Daylighting.
Copyright
Trademarks and Patents registered.
Branz Approved
Approved No. 464 (2009)
Authorised Distributor
HomeTech Limited: New Zealand.

SOLAMASTER 330DS-CC (530MM) TUBULAR DAYLIGHTING DEVICE WITH 600x600 SQUARE DIFFUSER
INSTALLATION FOR CONCRETE, TERRACOTTA & CEMENT TILE ROOF WITH HARD CEILING (e.g. GIB) AND SUSPENDED CEILING
INSTALLATION: INSTALLED BY A LICENCED HOMETECH INSTALLER AS PER THE SOLATUBE AUSTRALIA MANUFACTURING SPECIFICATION
© 2005 HomeTech Ltd

DRAWN	PCR	REVISION	A
DATE	10/11/09	SCALE	1:5,1:10,NTS
APPROVED	PN	DWG NO.	
DATE	10/11/09	330DS-CC-CO	