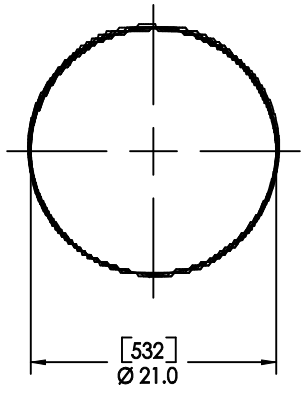
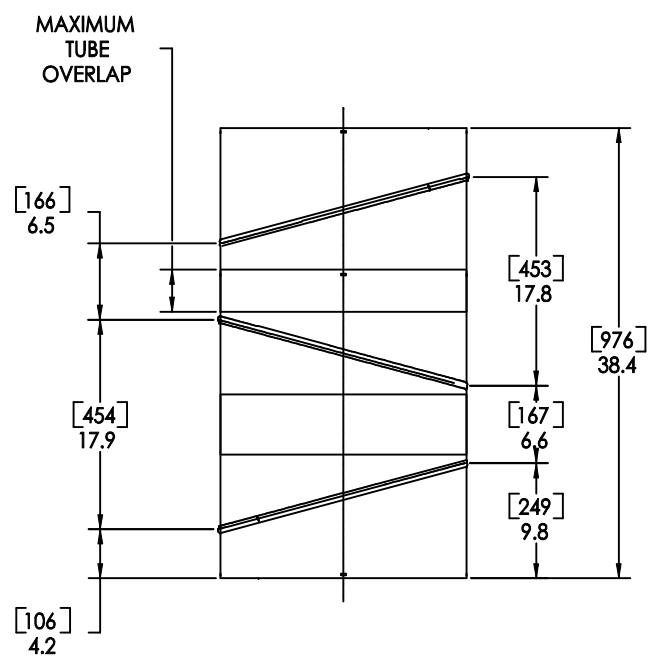
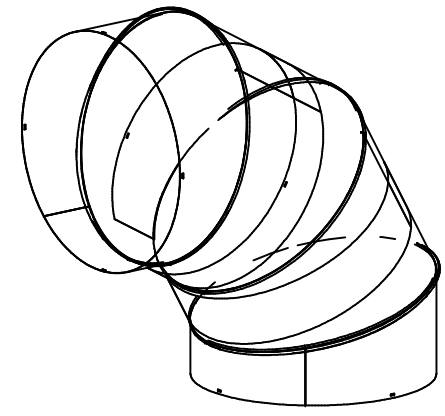


REVISIONS				
ECO	REV.	DESCRIPTION	DATE	INC.
	1		7/1/08	

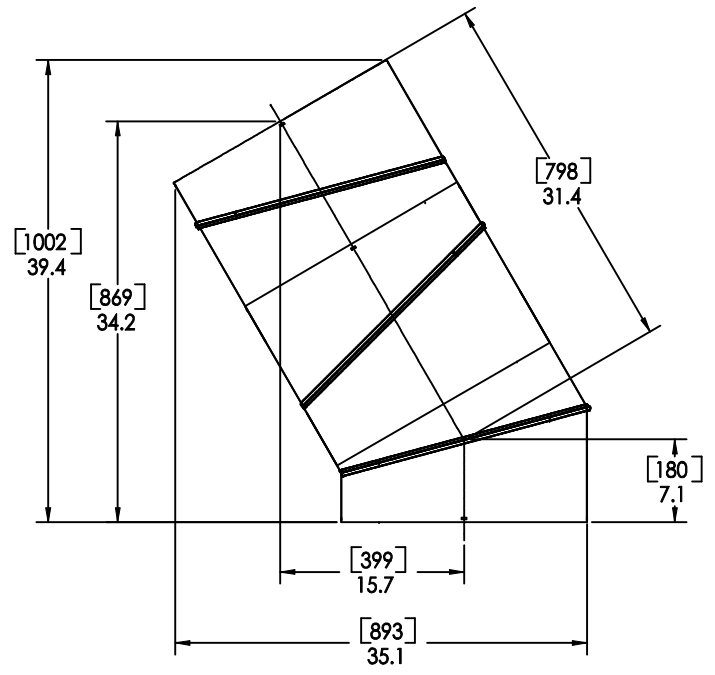
SOLATUBE 0-90 DEGREE EXTENSION TUBE FOR SOLATUBE 330 DS OR SOLATUBE 750 DS



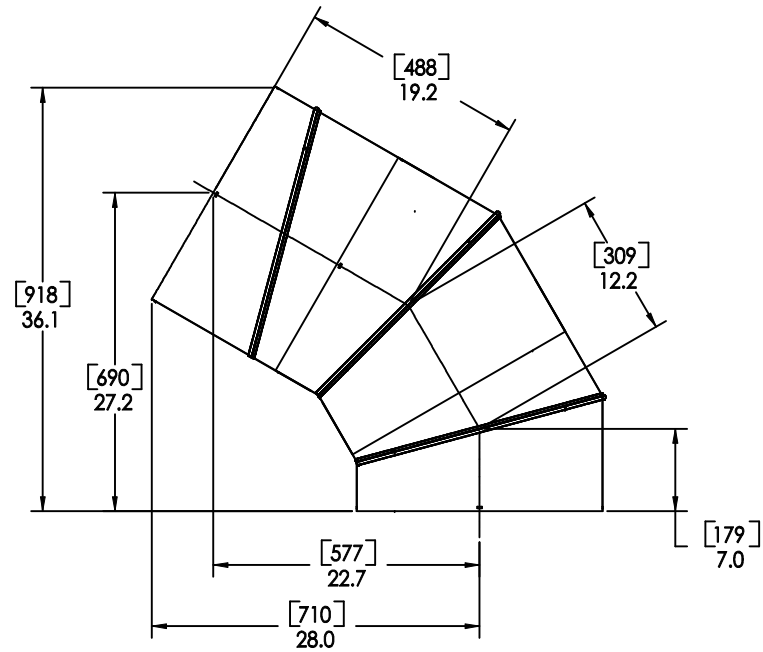
TOP VIEW
STRAIGHT



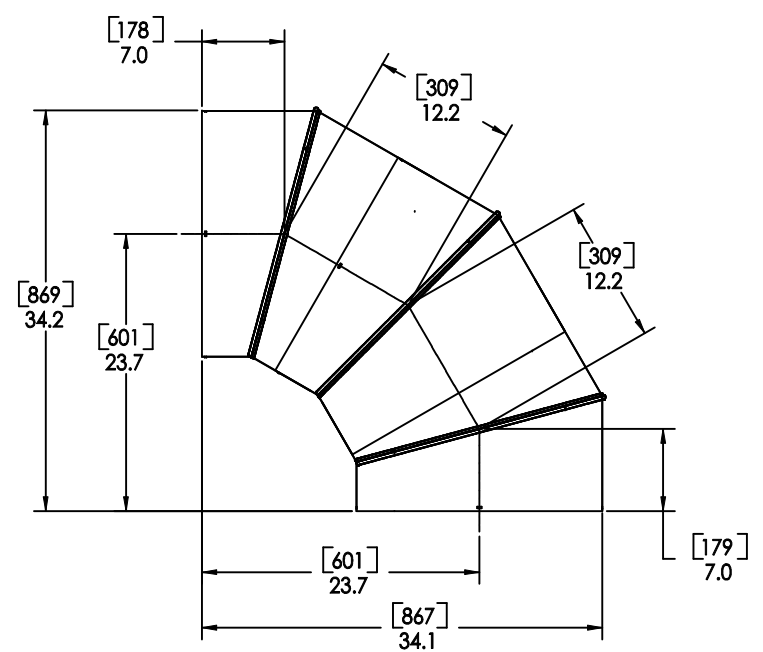
STRAIGHT



30° ANGLE



60° ANGLE



90° ANGLE

- NOTES:
1. DIMENSIONS IN BRACKETS ARE METRIC UNLESS OTHERWISE SPECIFIED.
 2. 6" MIN CLEARANCE SHOULD BE MAINTAINED FROM ALL SOLATUBE COMPONENTS AND OTHER PLENUM COMPONENTS.
 3. ASSEMBLY REQUIRED; KIT CONTAINS THREE (3) 30 ° ANGLE ADAPTERS.
 4. DIMENSIONS REFLECT MAXIMUM TUBE OVERLAP.

UNLESS OTHERWISE SPECIFIED:		PROPRIETARY AND CONFIDENTIAL THE INFORMATION CONTAINED IN THIS DRAWING IS THE SOLE PROPERTY OF SOLATUBE. ANY REPRODUCTION IN PART OR AS A WHOLE WITHOUT THE WRITTEN PERMISSION OF SOLATUBE IS PROHIBITED.		<p>2210 OAK RIDGE WAY VISTA, CALIFORNIA 92081-5341 PH (760) 597-4400</p>
TOLERANCES	ANGULAR: ±0.5°			
INCH	MILLIMETER			TITLE: 0-90 DEGREE EXT. TUBE 330 DS OR 750 DS
X ± .2	X ± .25			SIZE: D
XX ± .01	XX ± .12			DWG. NO. WEB-750-90DEG-EXT
XXX ± .005	XXX ± .025			REV 1
MATERIAL	DRAWN BY	DATE		
—	STEVENS	7/1/08		
FINISH	CHECKED BY	DATE		
—	—	—		
DO NOT SCALE DRAWING	APPROVED BY	DATE		
—	—	—		

SHEET 1 OF 1