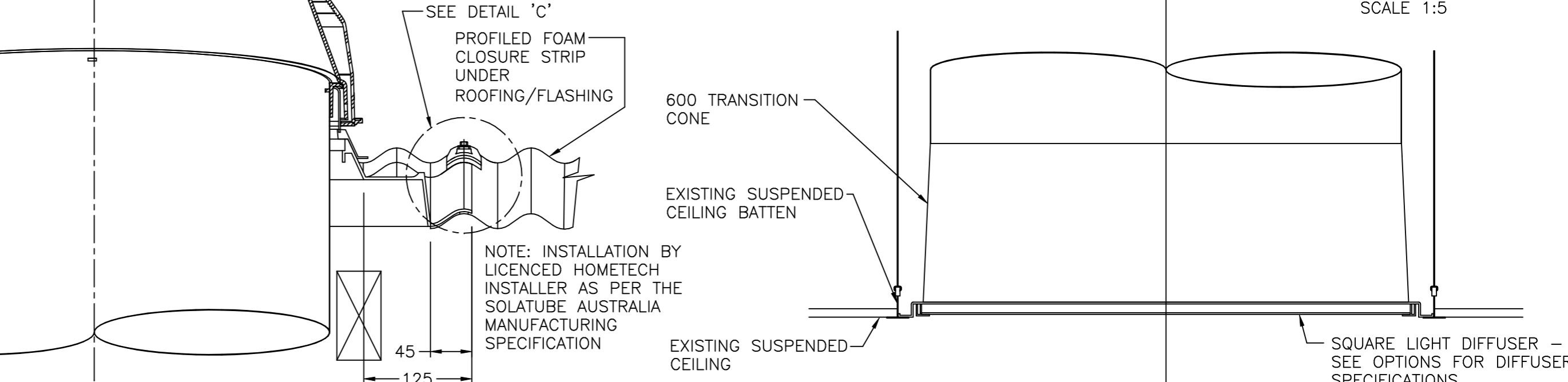
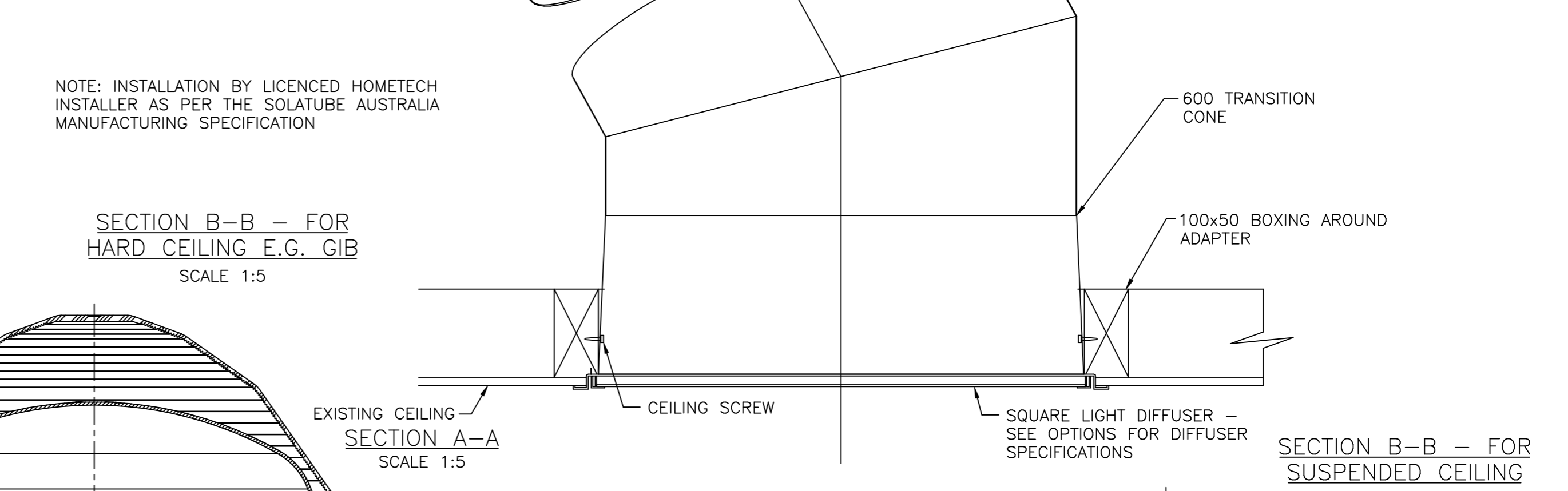
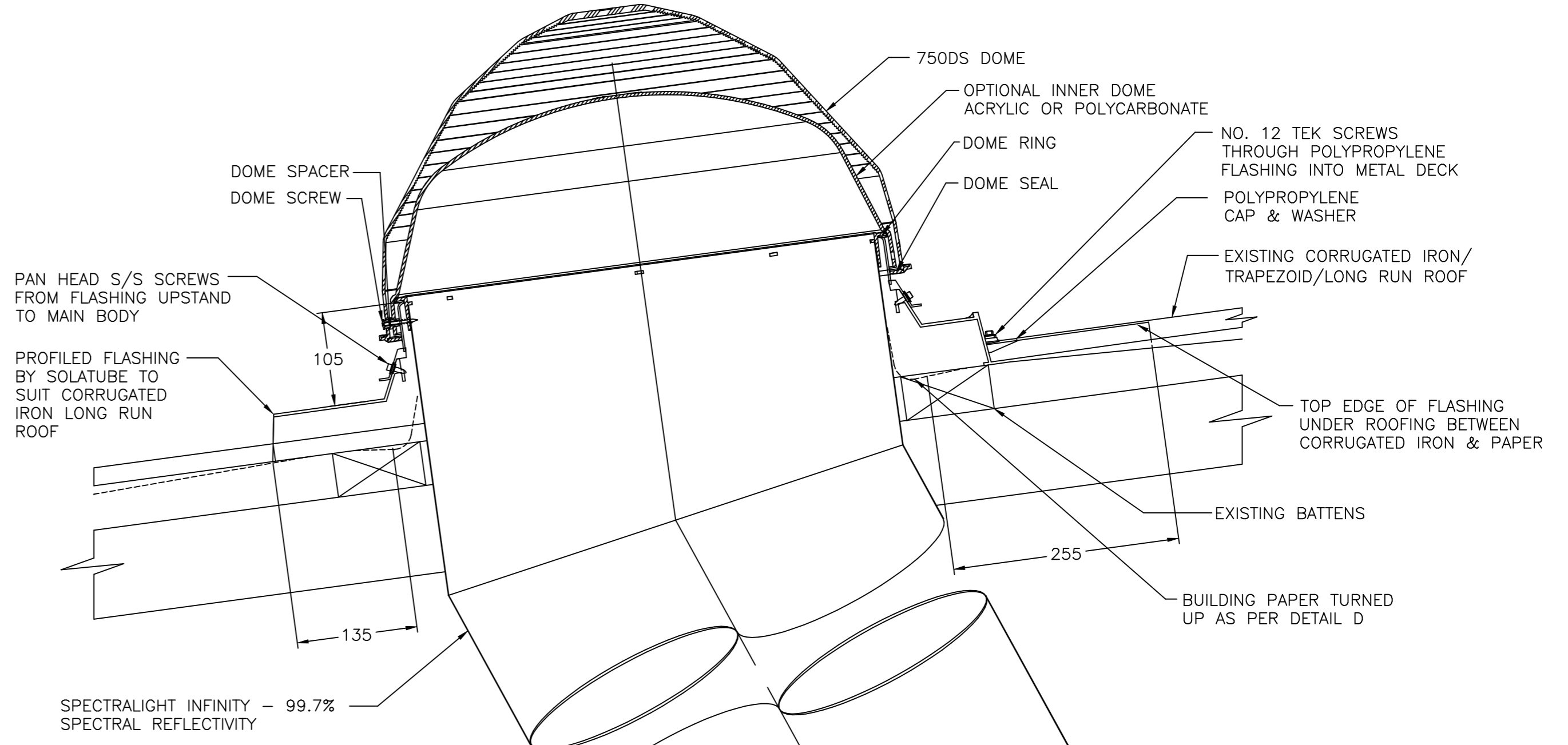
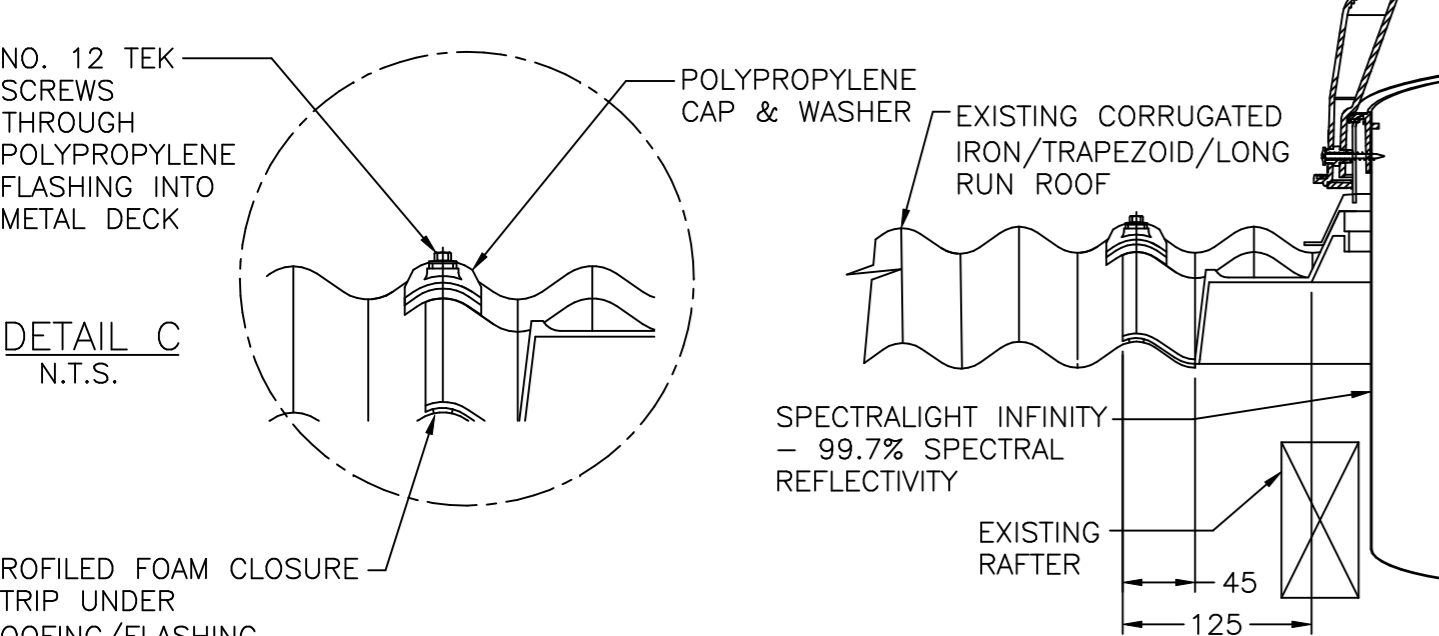
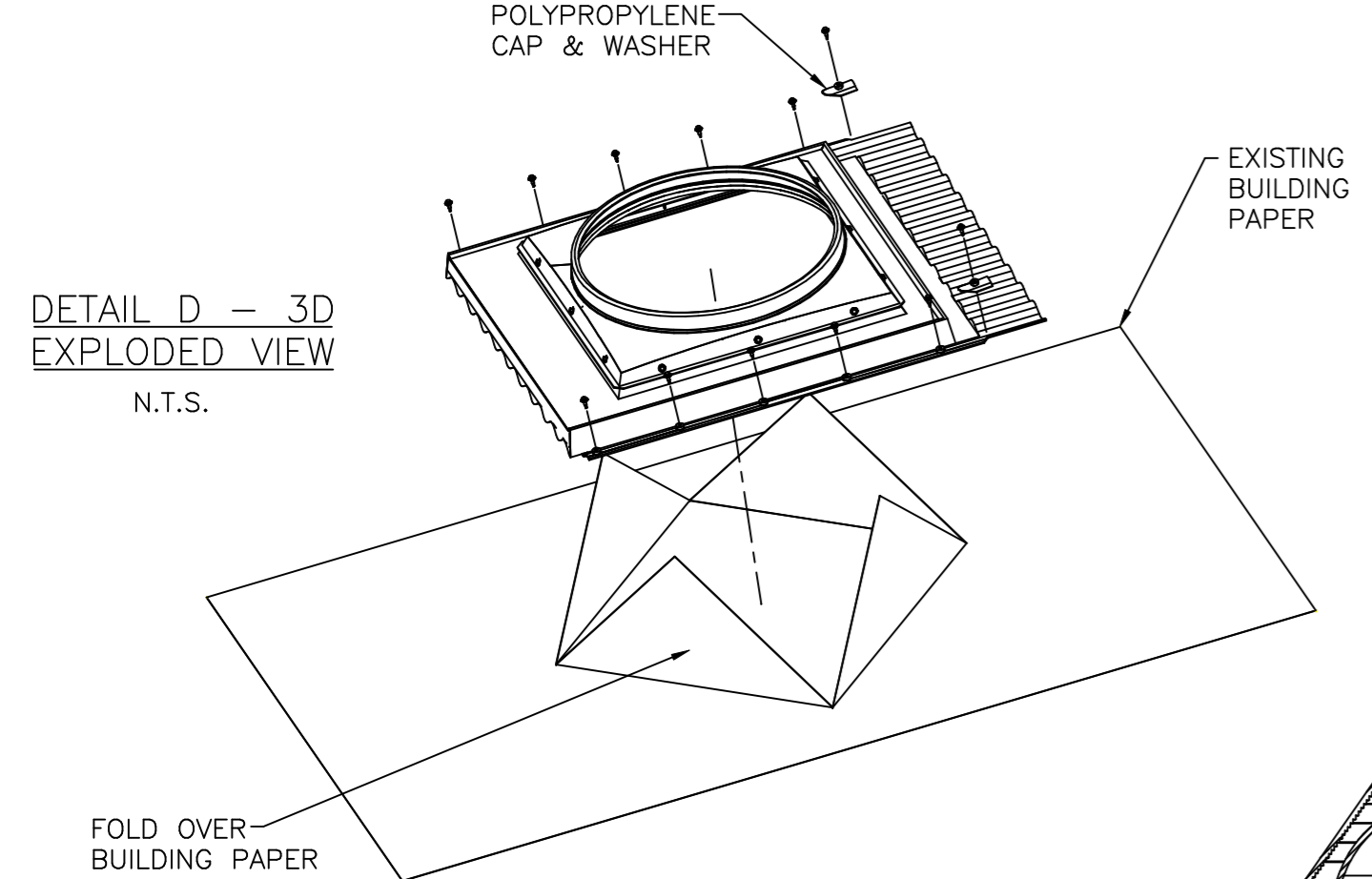


NOTE: INSTALLATION BY LICENCED HOMETECH INSTALLER AS PER THE SOLATUBE AUSTRALIA MANUFACTURING SPECIFICATION

NOTE: SUPPORT FRAMING REQUIRED AROUND ROOF AS PER E2/AS1 8.1.7



DRAWN	PCR	REVISION	A
DATE	10/11/09	SCALE	1:5,1:10,NTS
APPROVED	PN	DWG NO.	
DATE	10/11/09	750DS-CC-C	