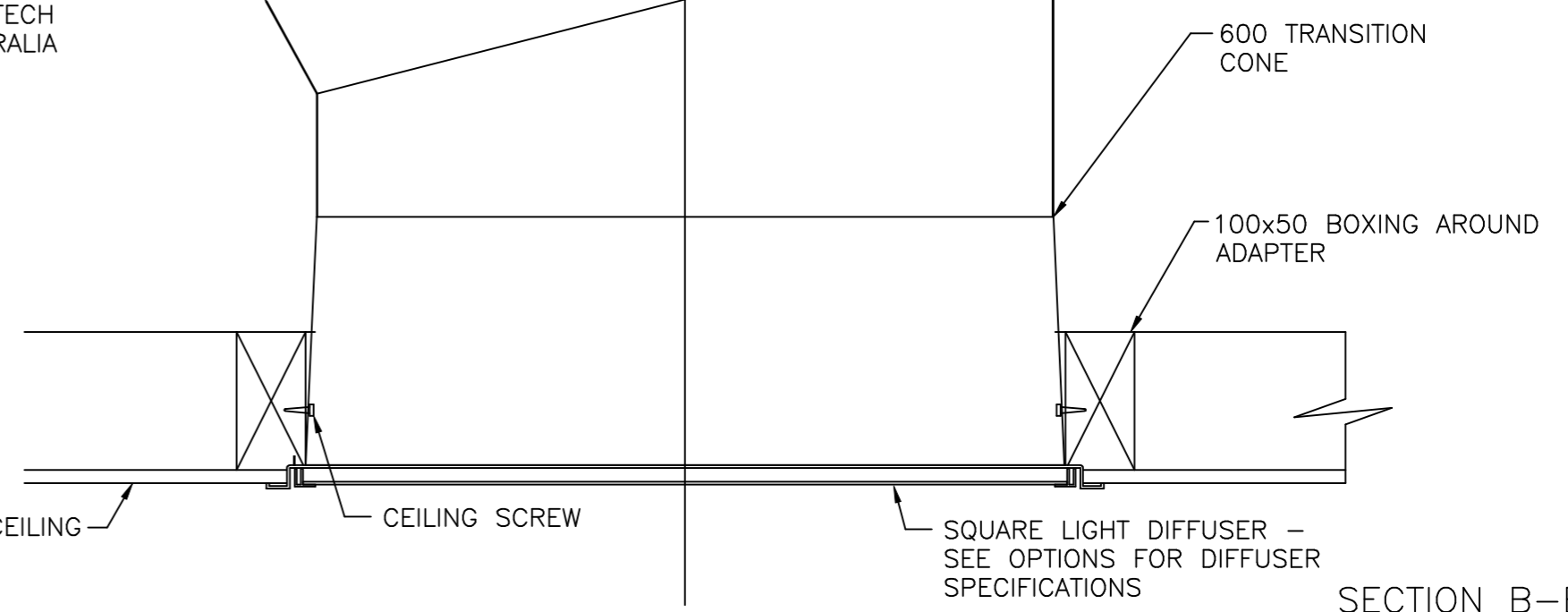
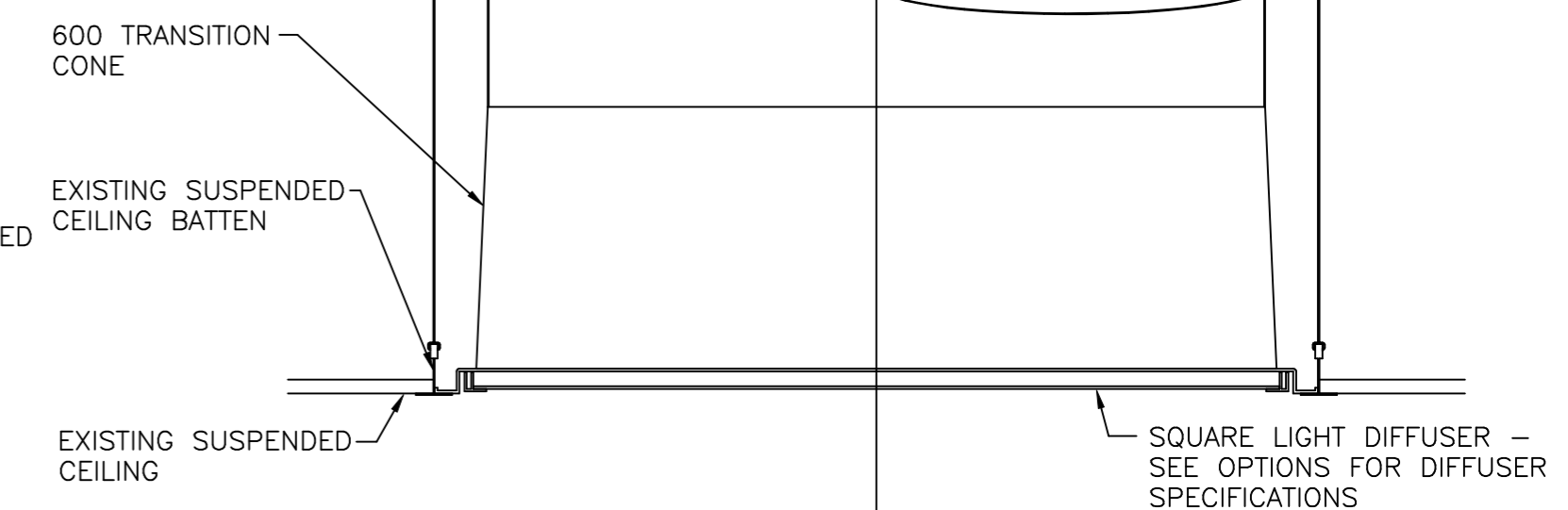
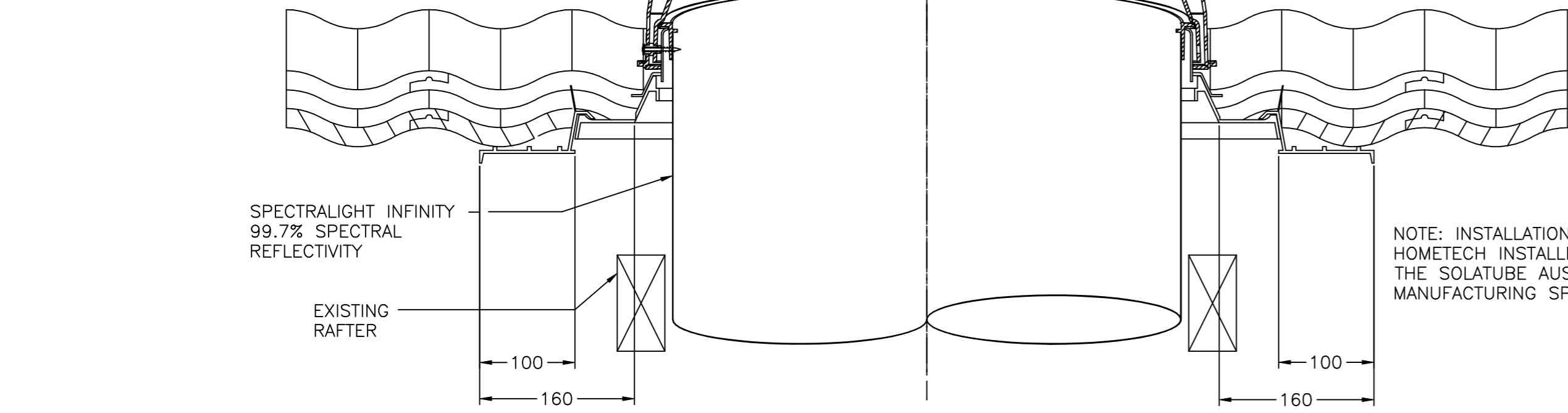


SECTION B-B - FOR HARD CEILING E.G. GIB
SCALE 1:5



SECTION B-B - FOR SUSPENDED CEILING
SCALE 1:5



DRAWN	PCR	REVISION	A
DATE	10/11/09	SCALE	1:5,1:10,NTS
APPROVED	PN	DWG NO.	
DATE	10/11/09	750DS-CC-CO	