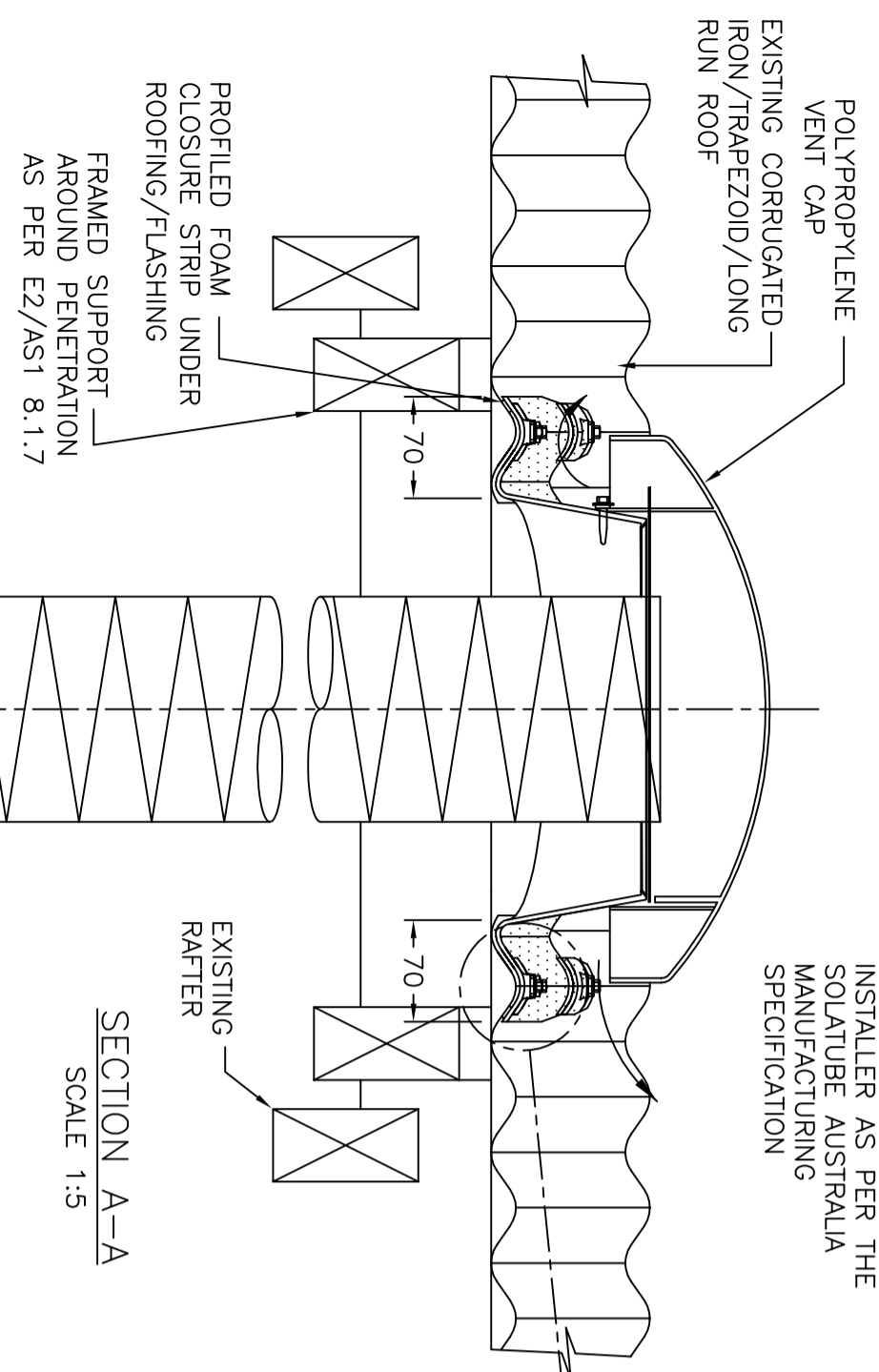
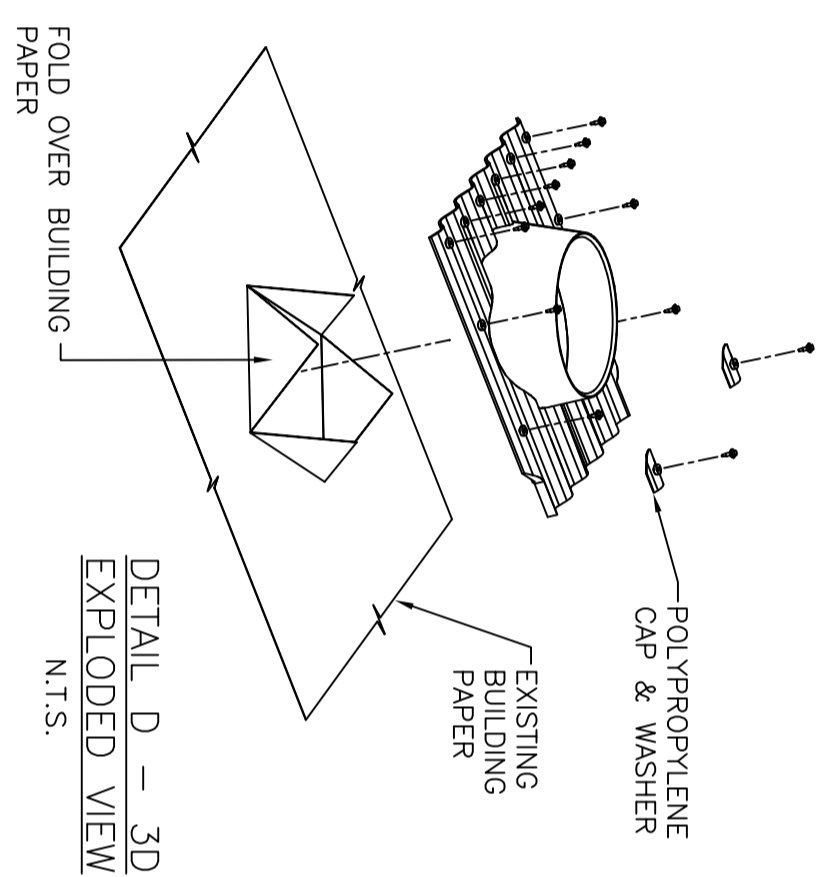
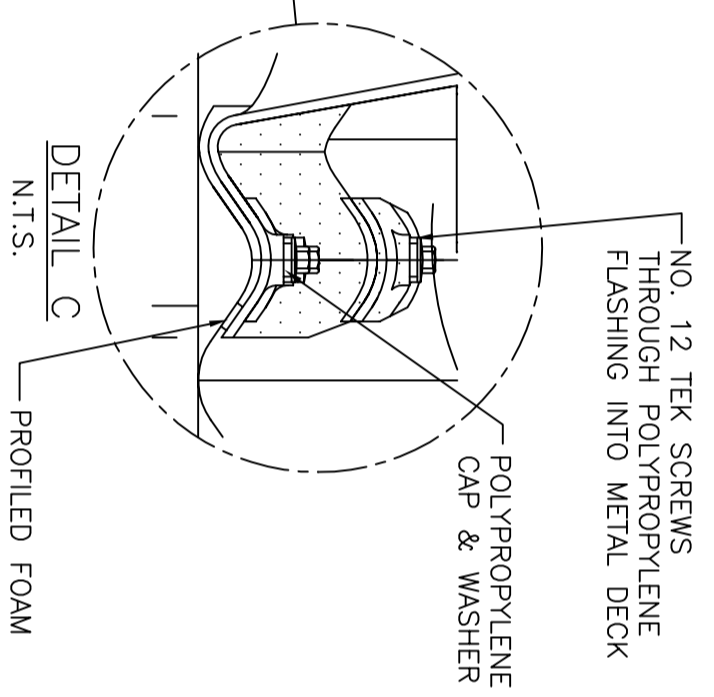


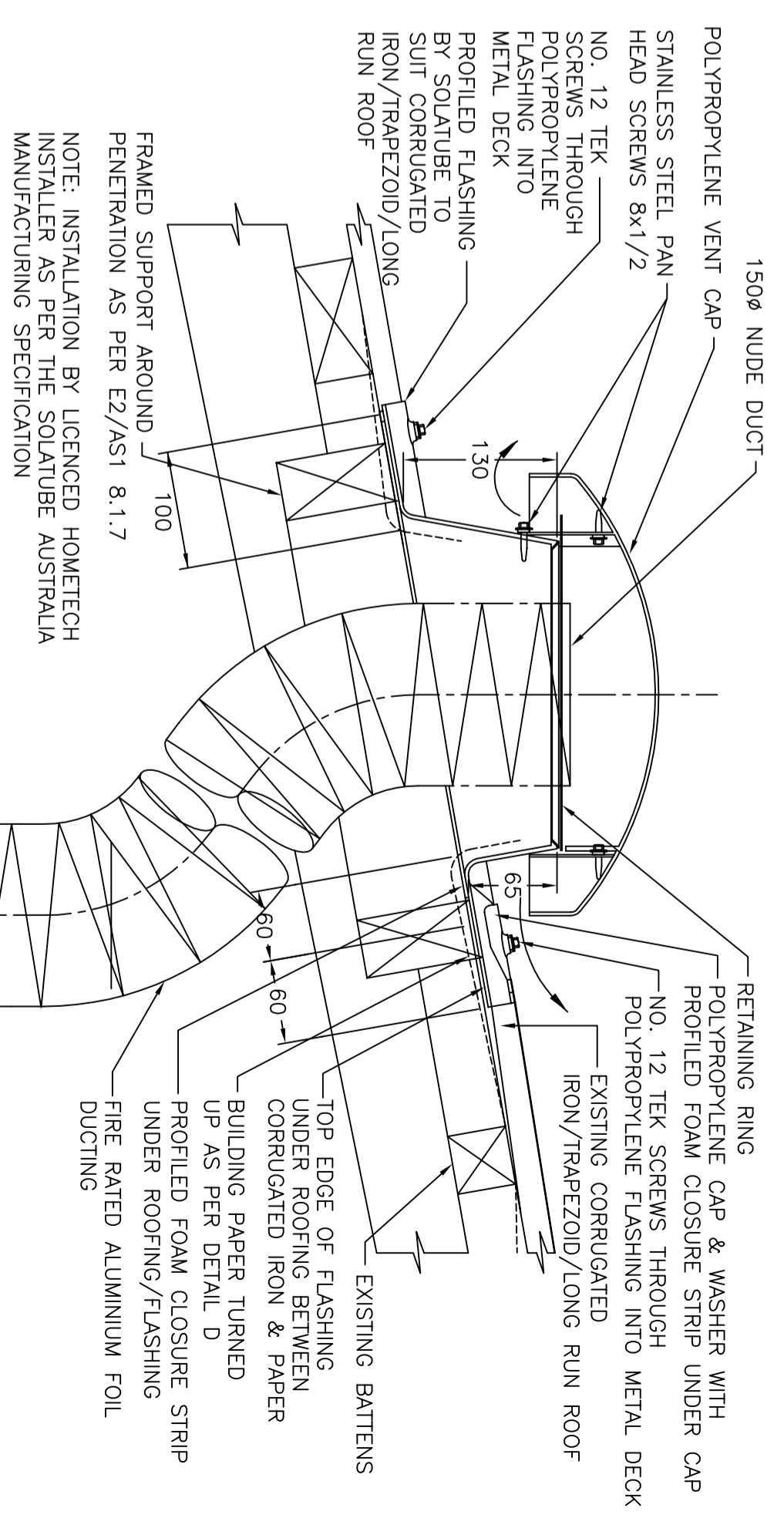
NOTE: INSTALLATION BY LICENCED HOMETECH INSTALLER AS PER THE SOLATUBE AUSTRALIA MANUFACTURING SPECIFICATION



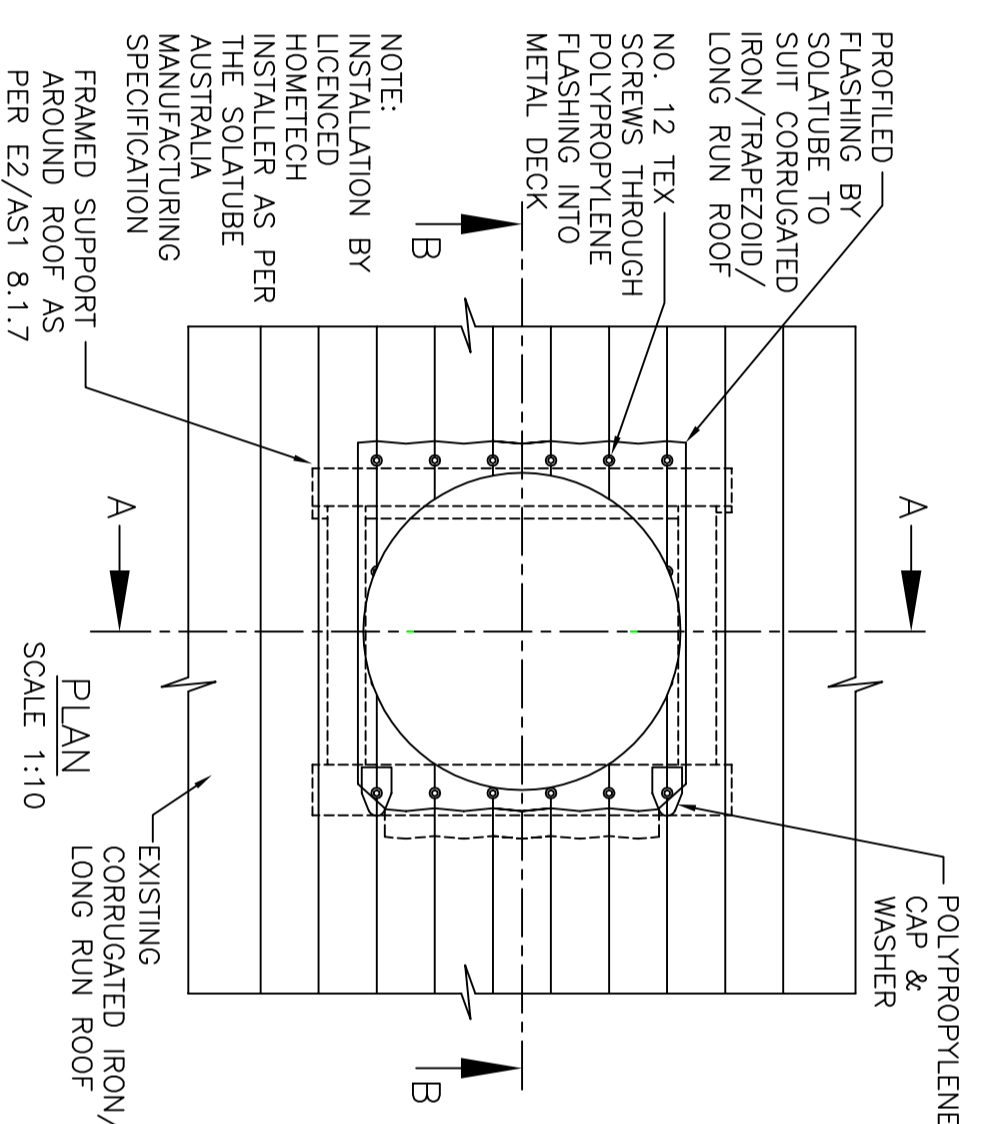
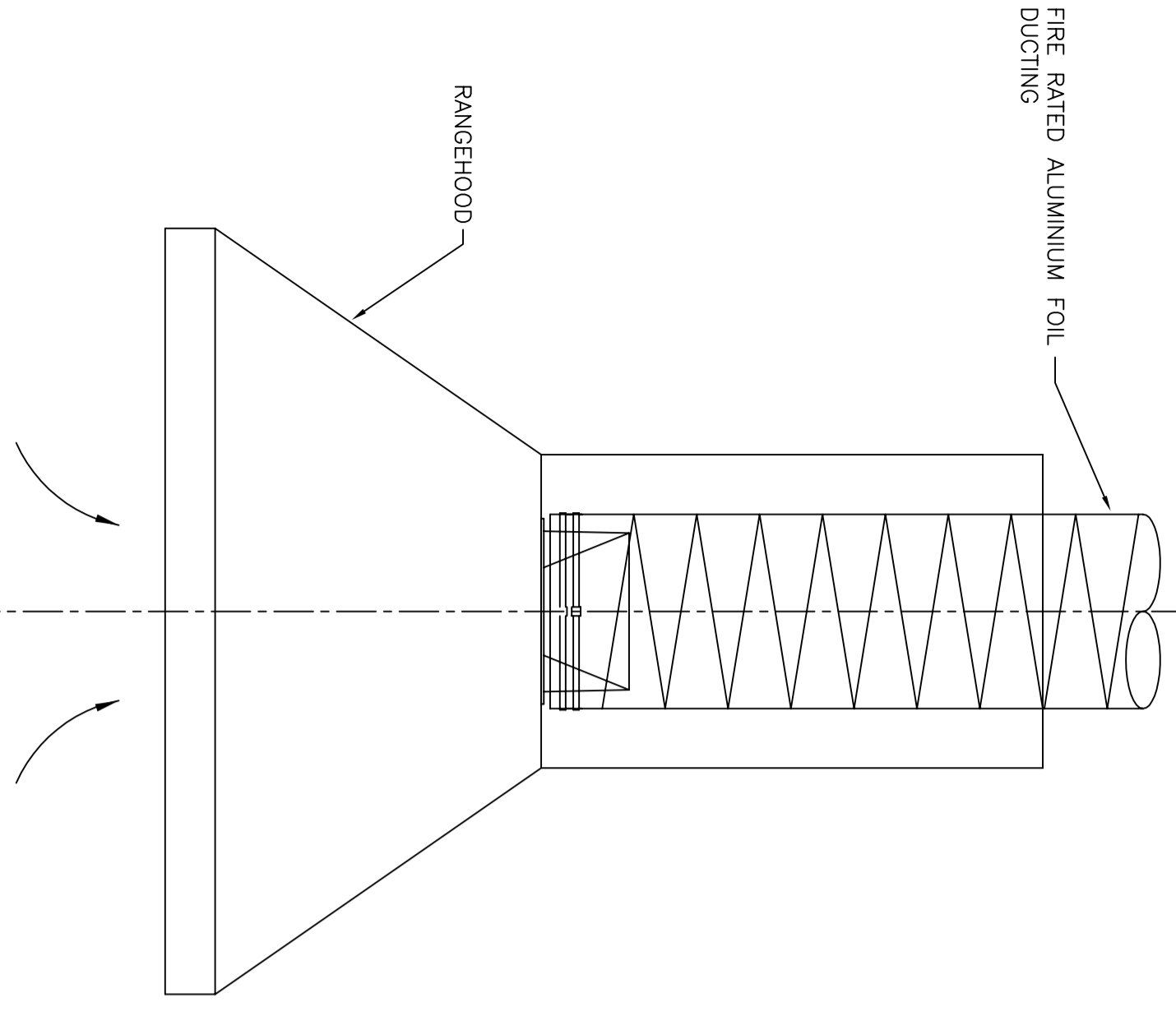
SECTION A-A
SCALE 1:5



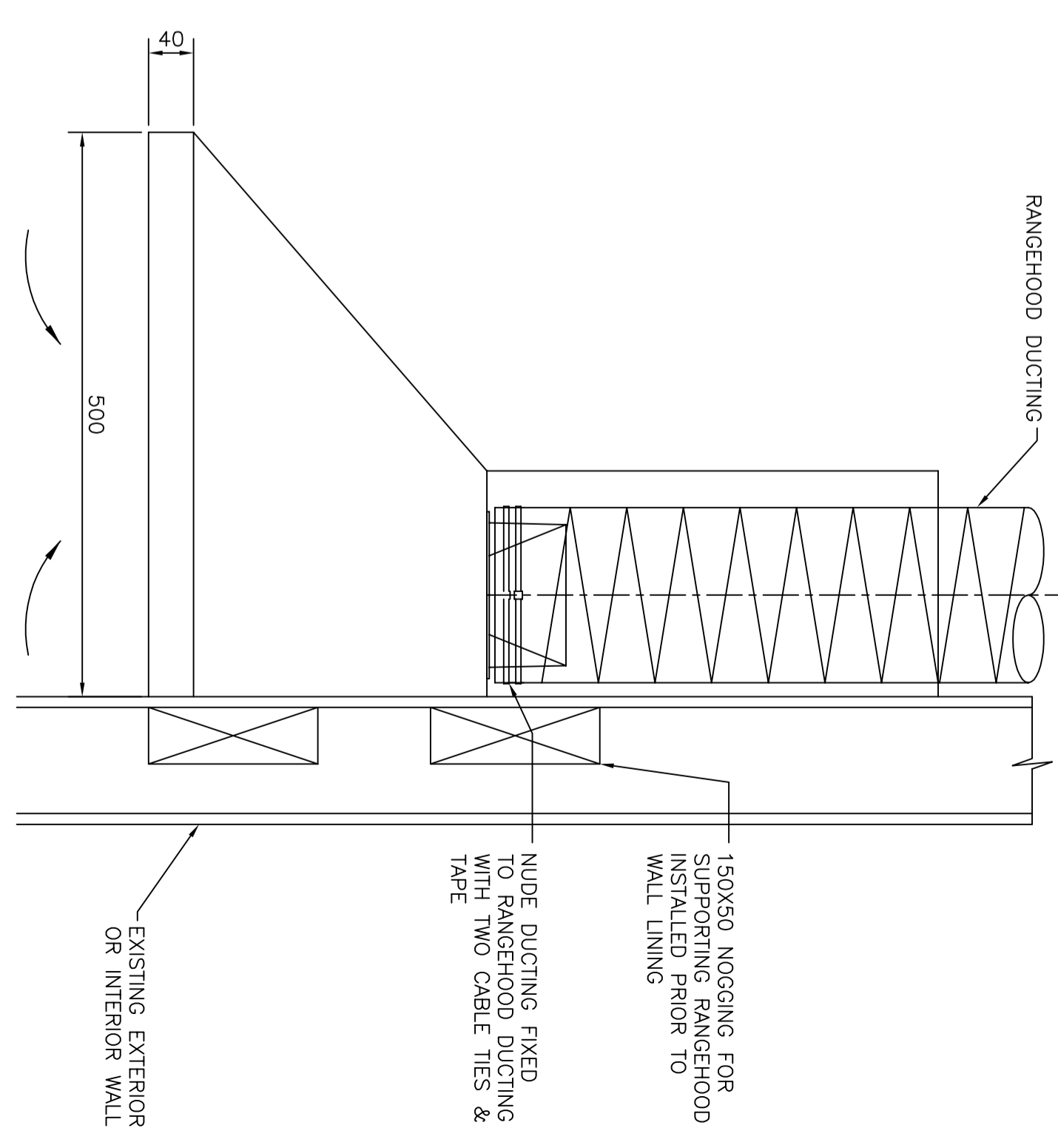
DETAIL D - 3D
EXPLODED VIEW
N.T.S.



SECTION B-B
SCALE 1:5



PLAN
SCALE 1:10



DATE	APPROVED	DATE	REVISION
20/07/10	PN	20/07/10	A
			SCALE 1:5, 1:10, N.T.S.
			DWG. NO. RWC3CH6SS-C