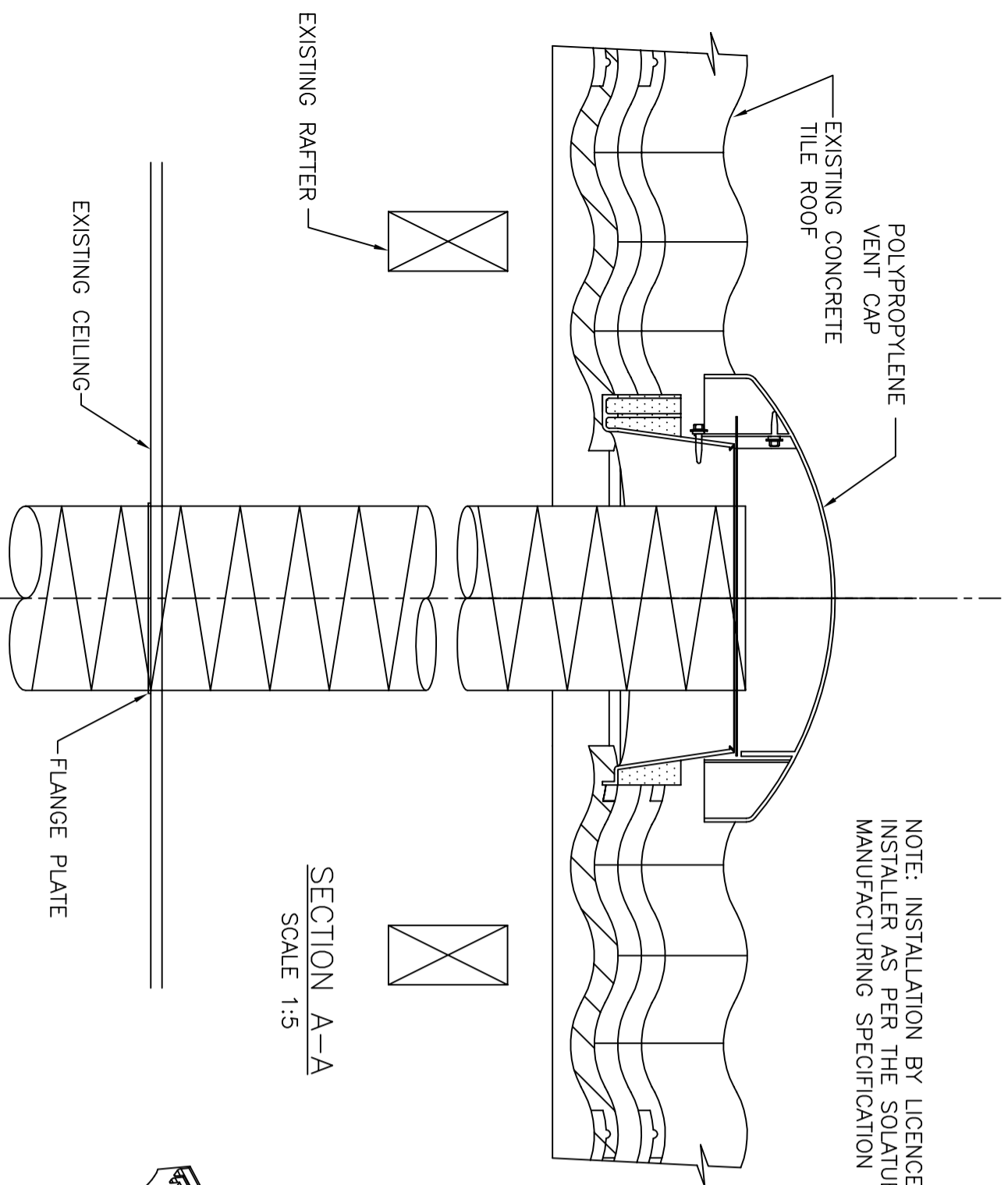
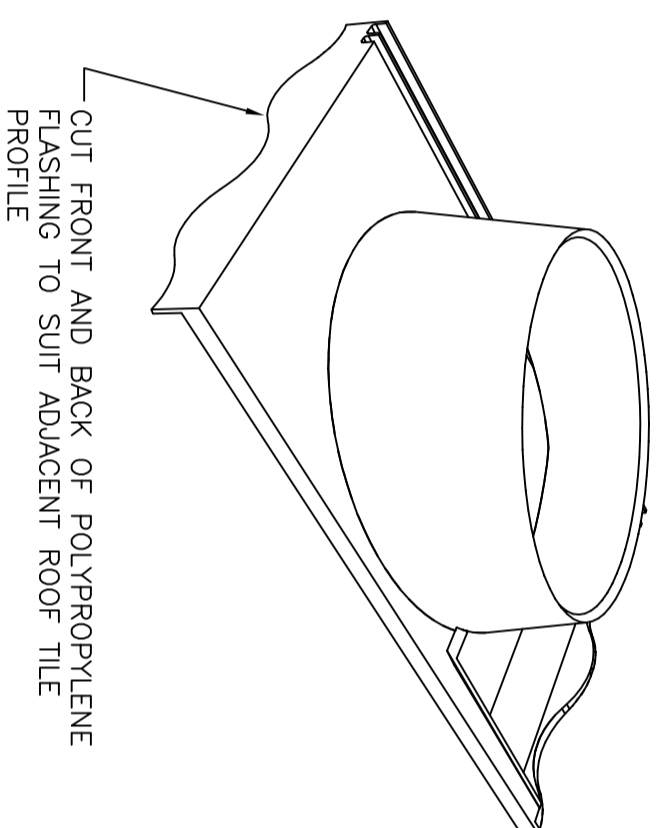


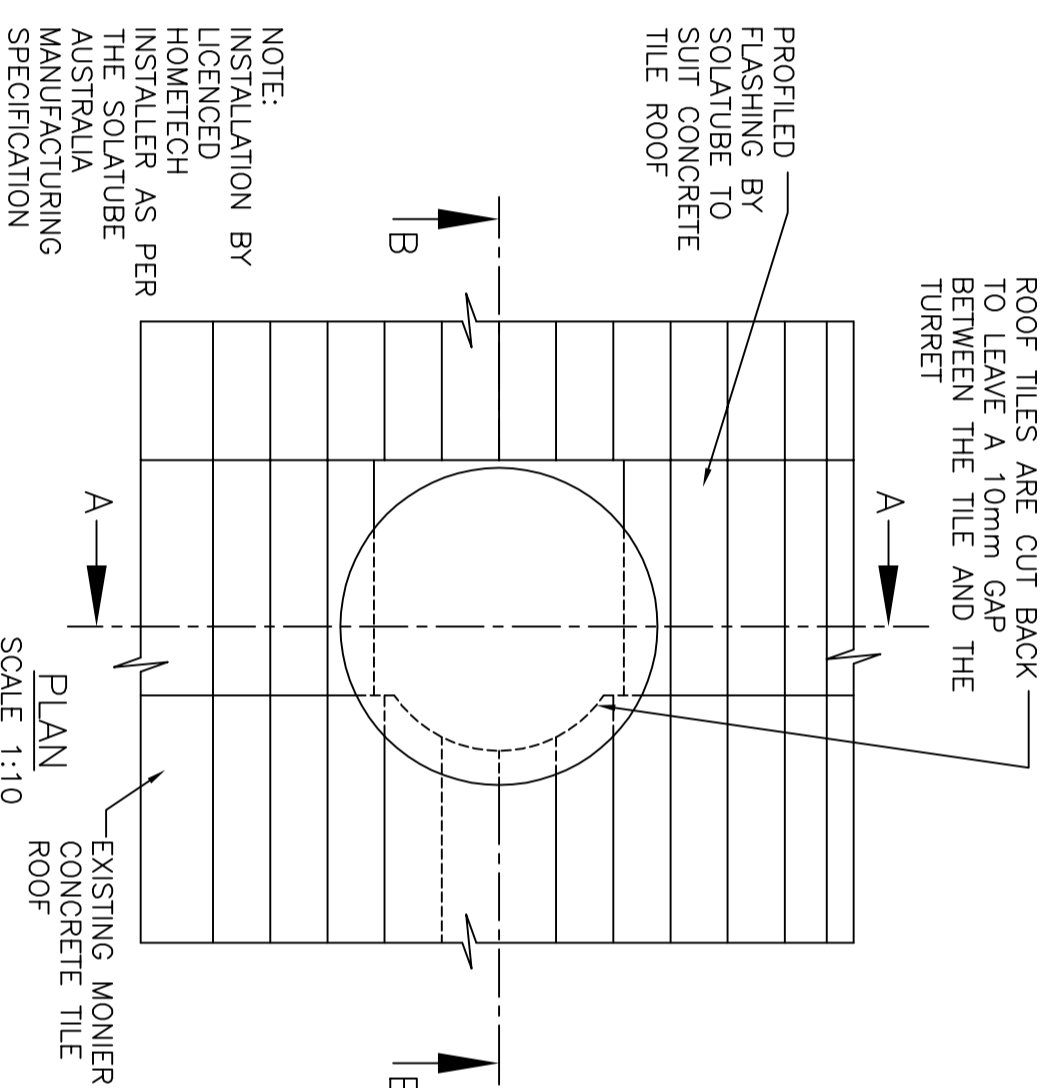
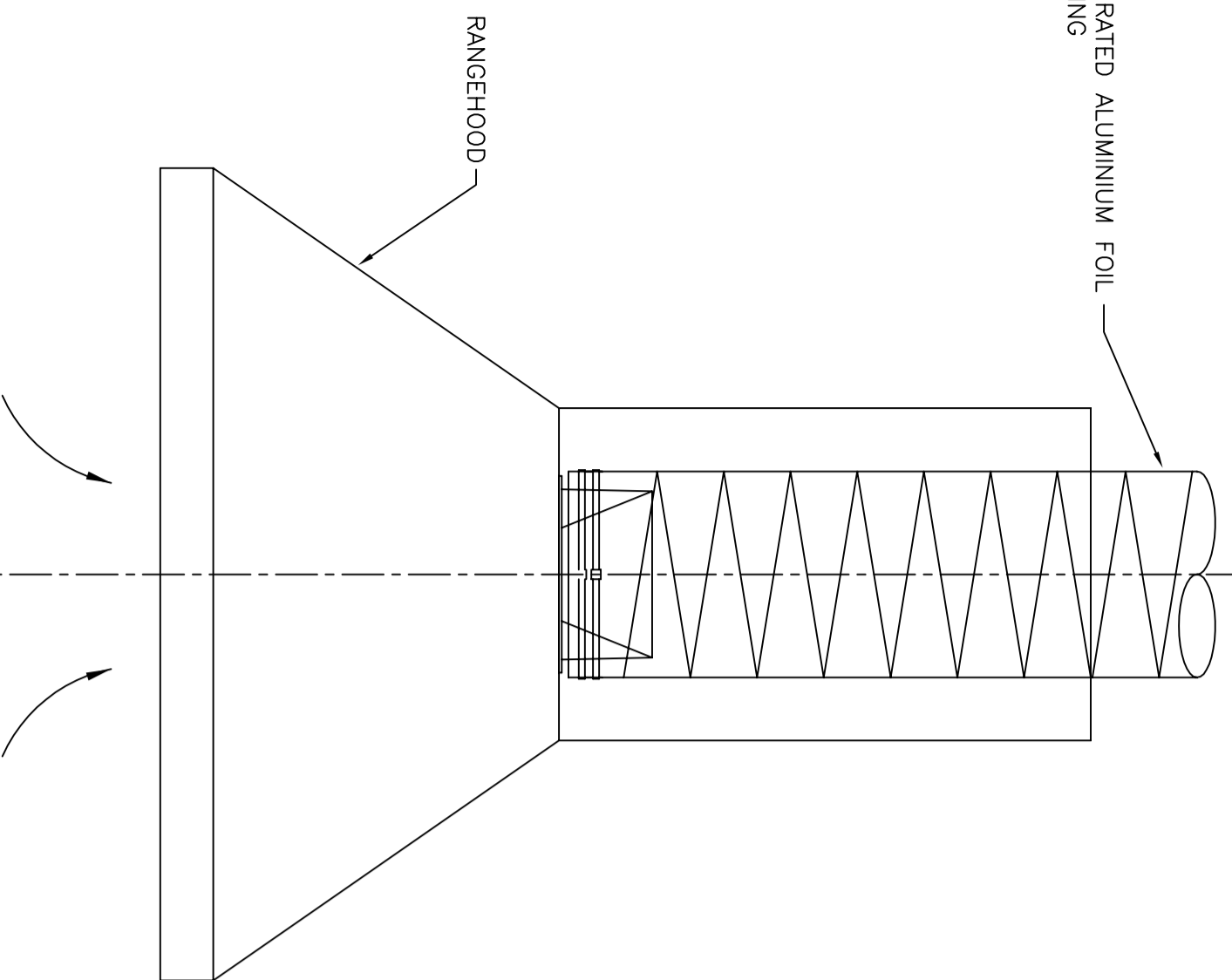
NOTE: INSTALLATION BY LICENCED HOMETECH INSTALLER AS PER THE SOLATUBE AUSTRALIA MANUFACTURING SPECIFICATION



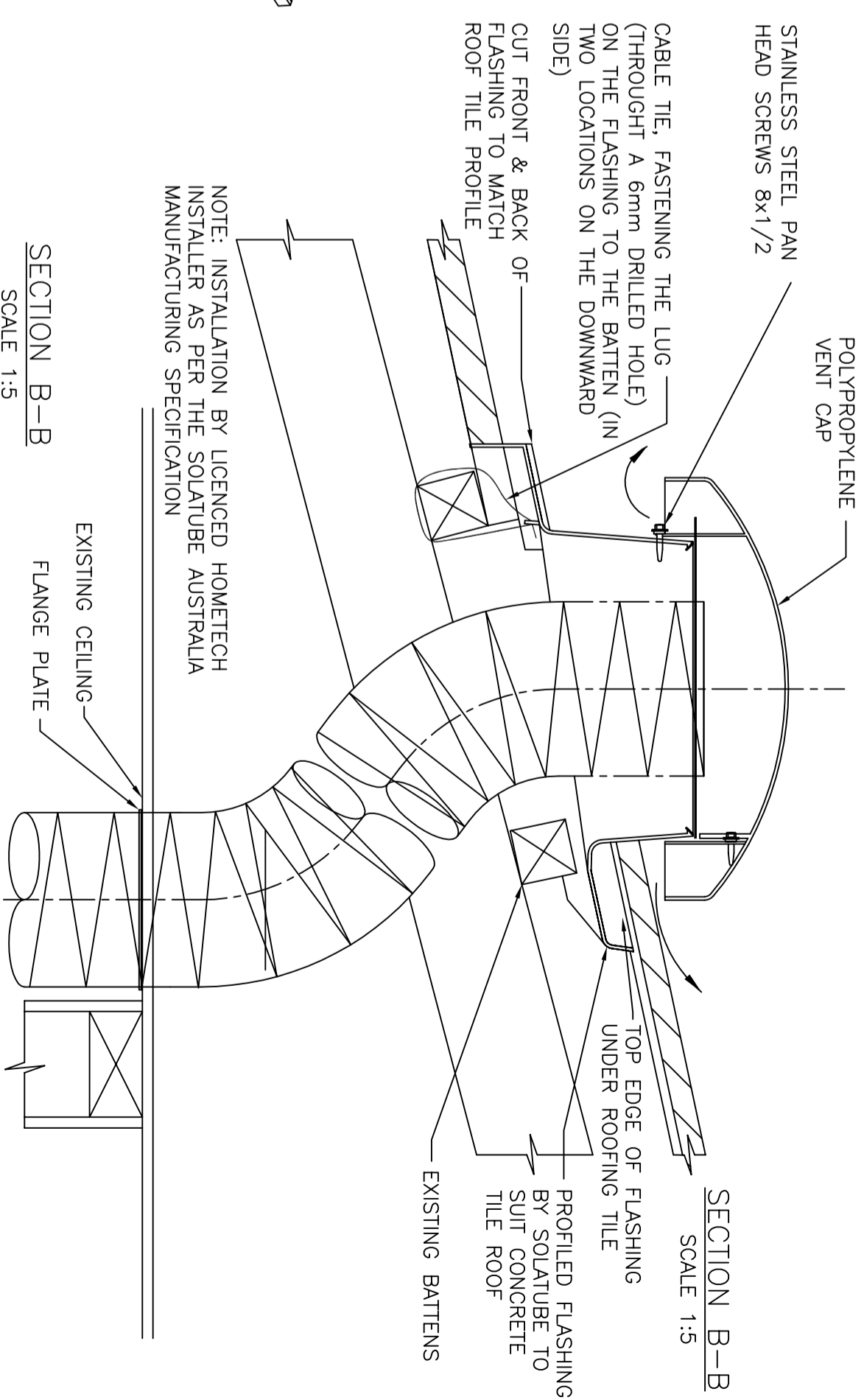
SECTION A-A  
SCALE 1:5



3D FLASHING VIEW - DETAIL D  
SCALE N.T.S.



STAINLESS STEEL PAN HEAD SCREWS 8x1/2  
CABLE TIE, FASTENING THE LUG (THROUGH A 6mm DRILLED HOLE) ON THE FLASHING TO THE BATTEN (IN TWO LOCATIONS ON THE DOWNWARD SIDE)  
CUT FRONT & BACK OF FLASHING TO MATCH ROOF TILE PROFILE



SECTION B-B  
SCALE 1:5

