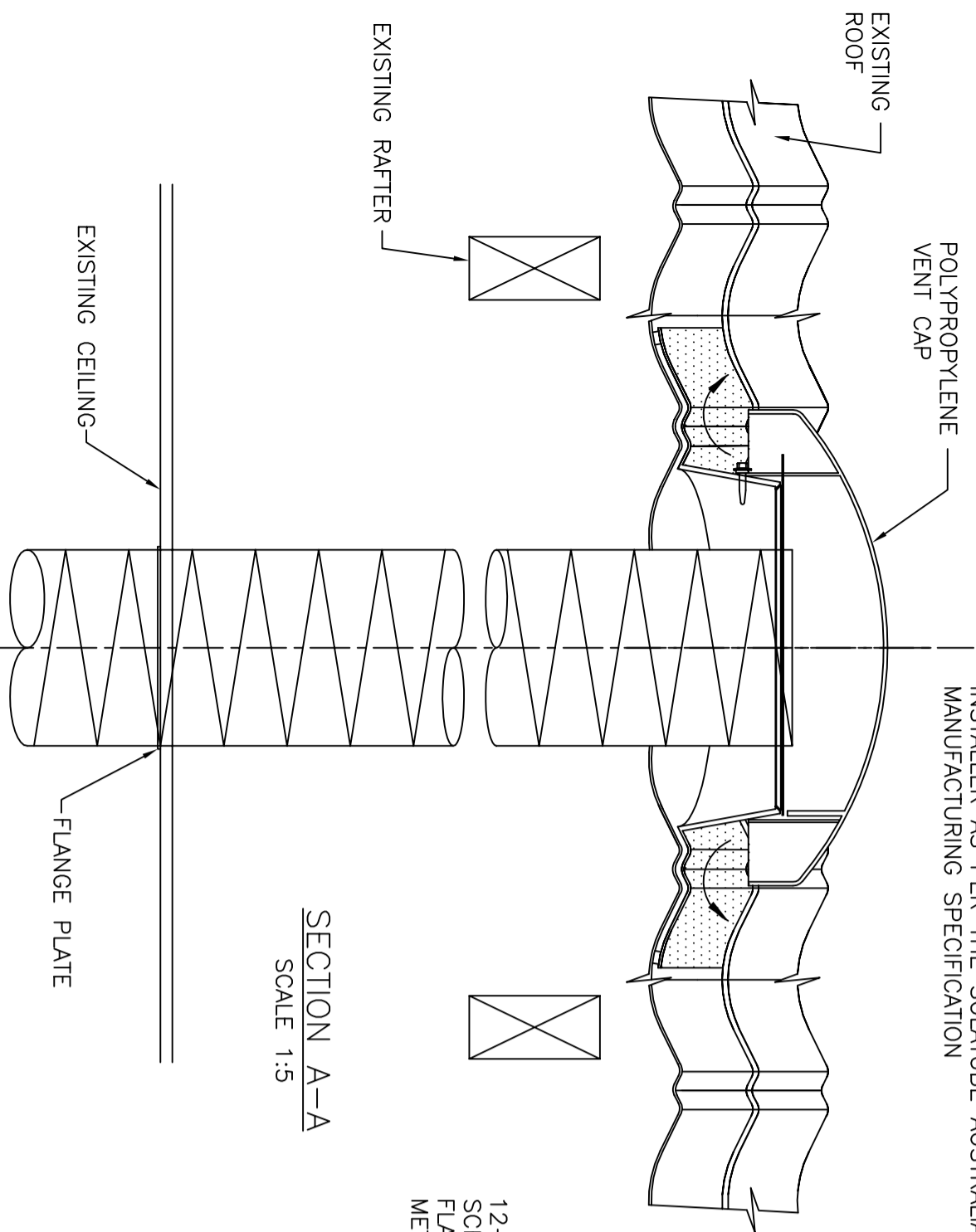
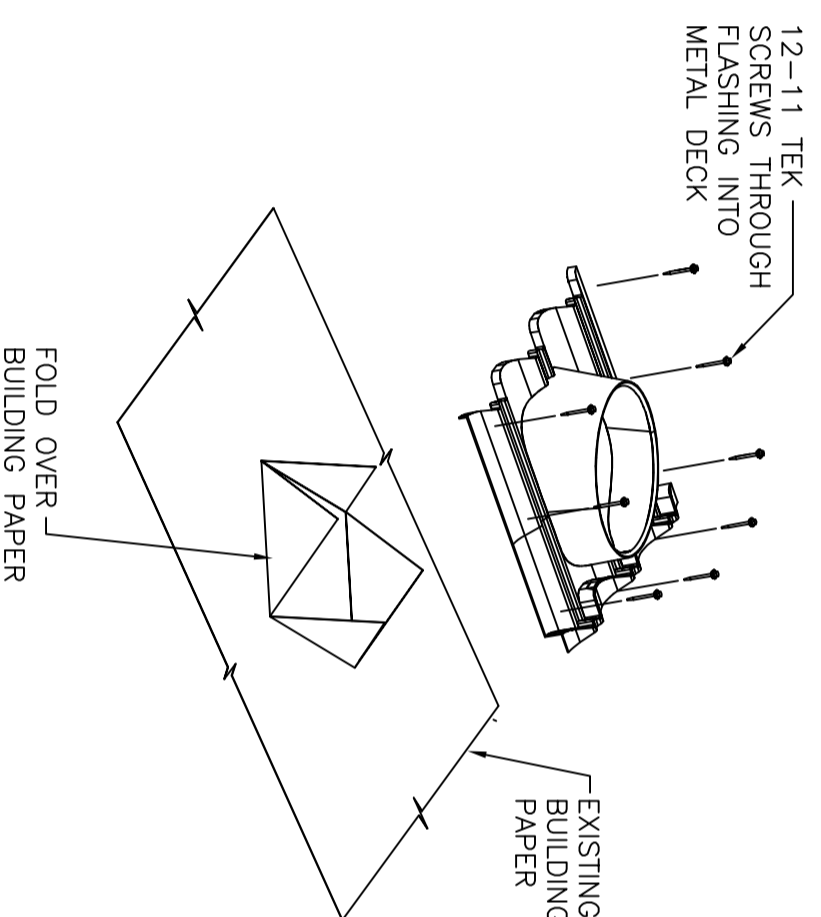


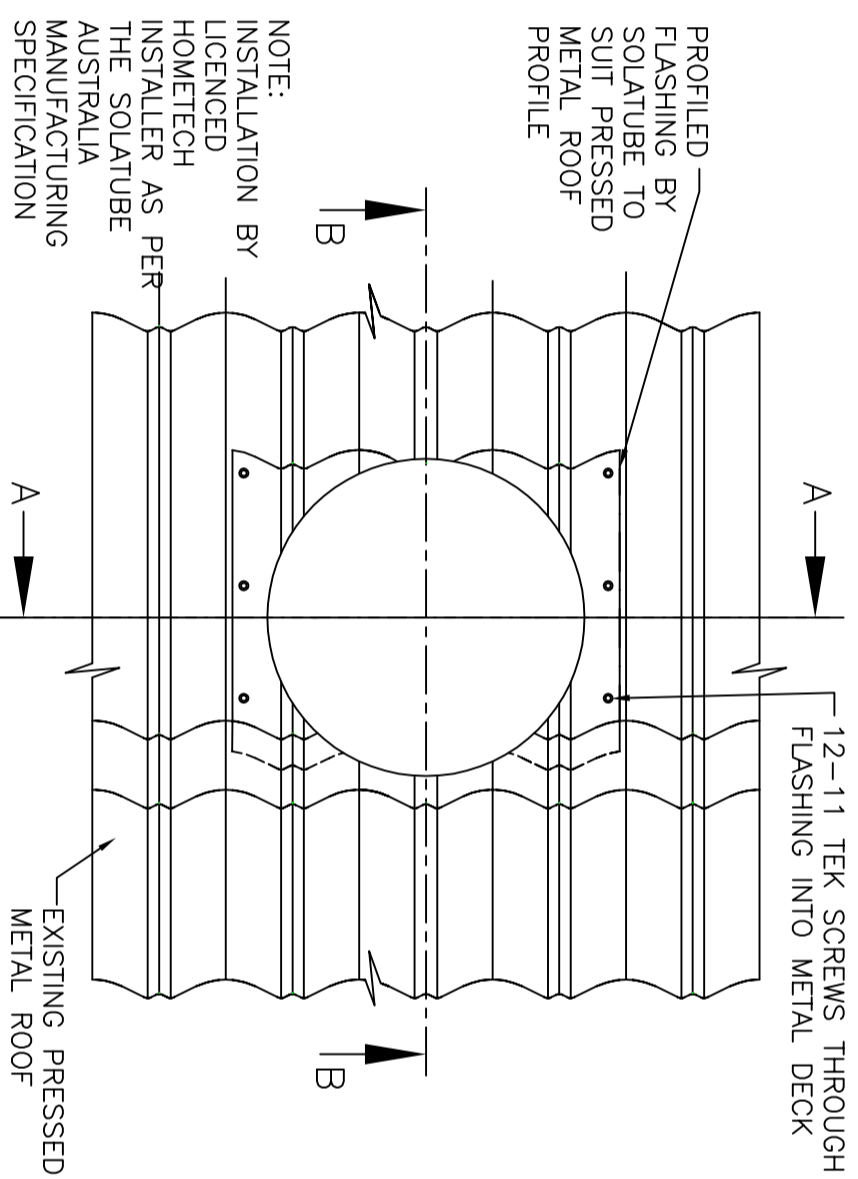
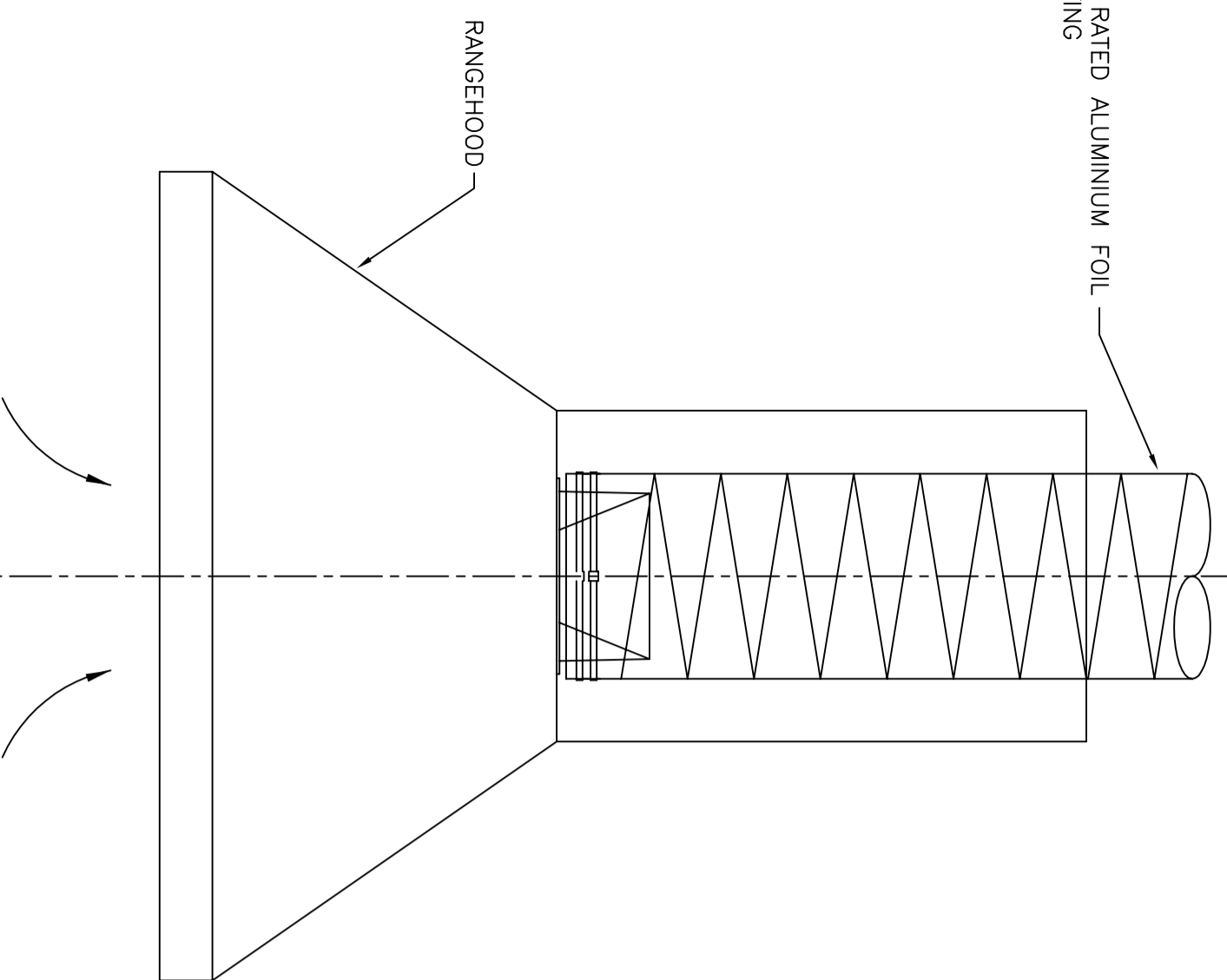
NOTE: INSTALLATION BY LICENCED HOMETECH INSTALLER AS PER THE SOLATUBE AUSTRALIA MANUFACTURING SPECIFICATION



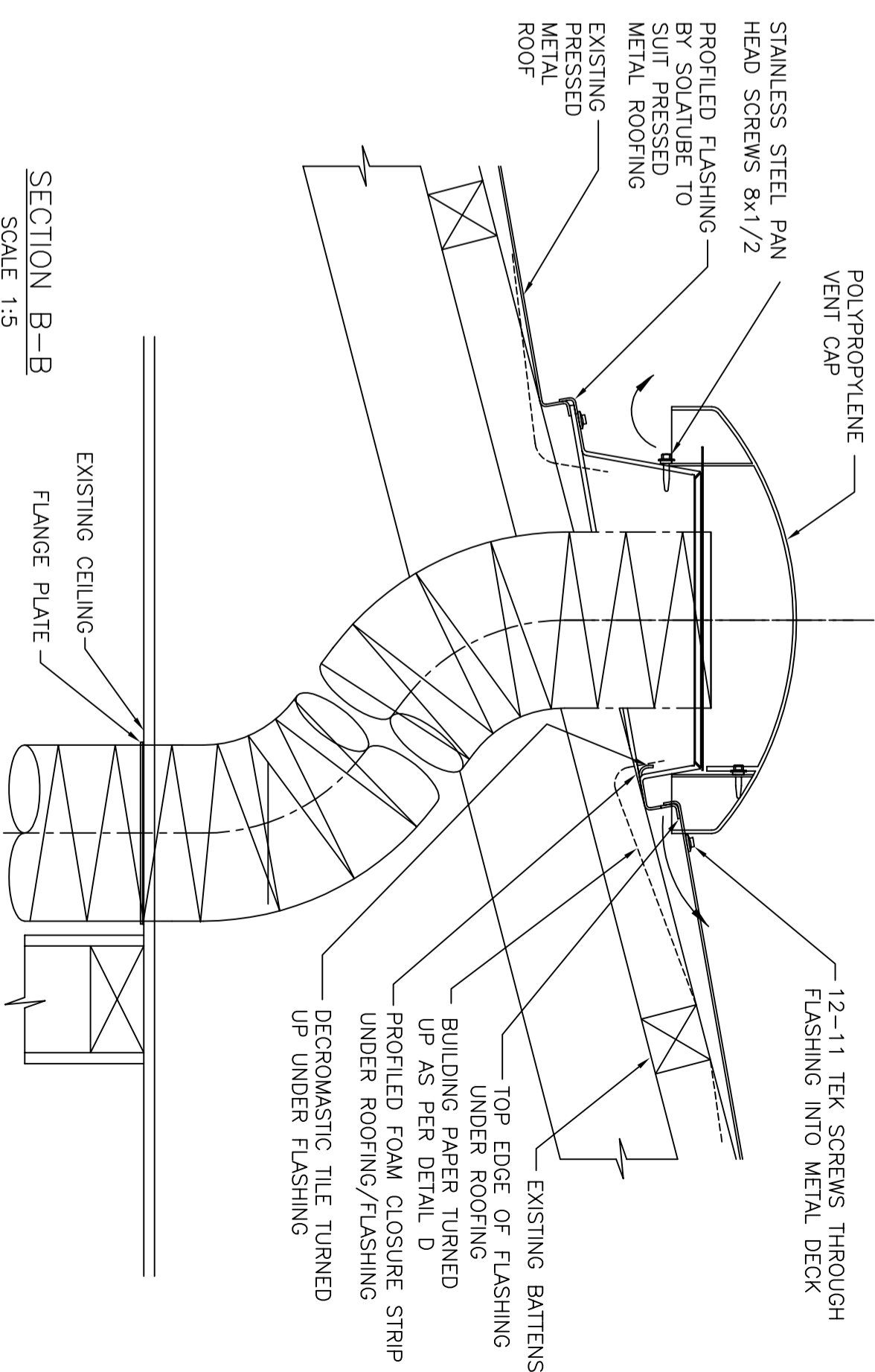
SECTION A-A  
SCALE 1:5



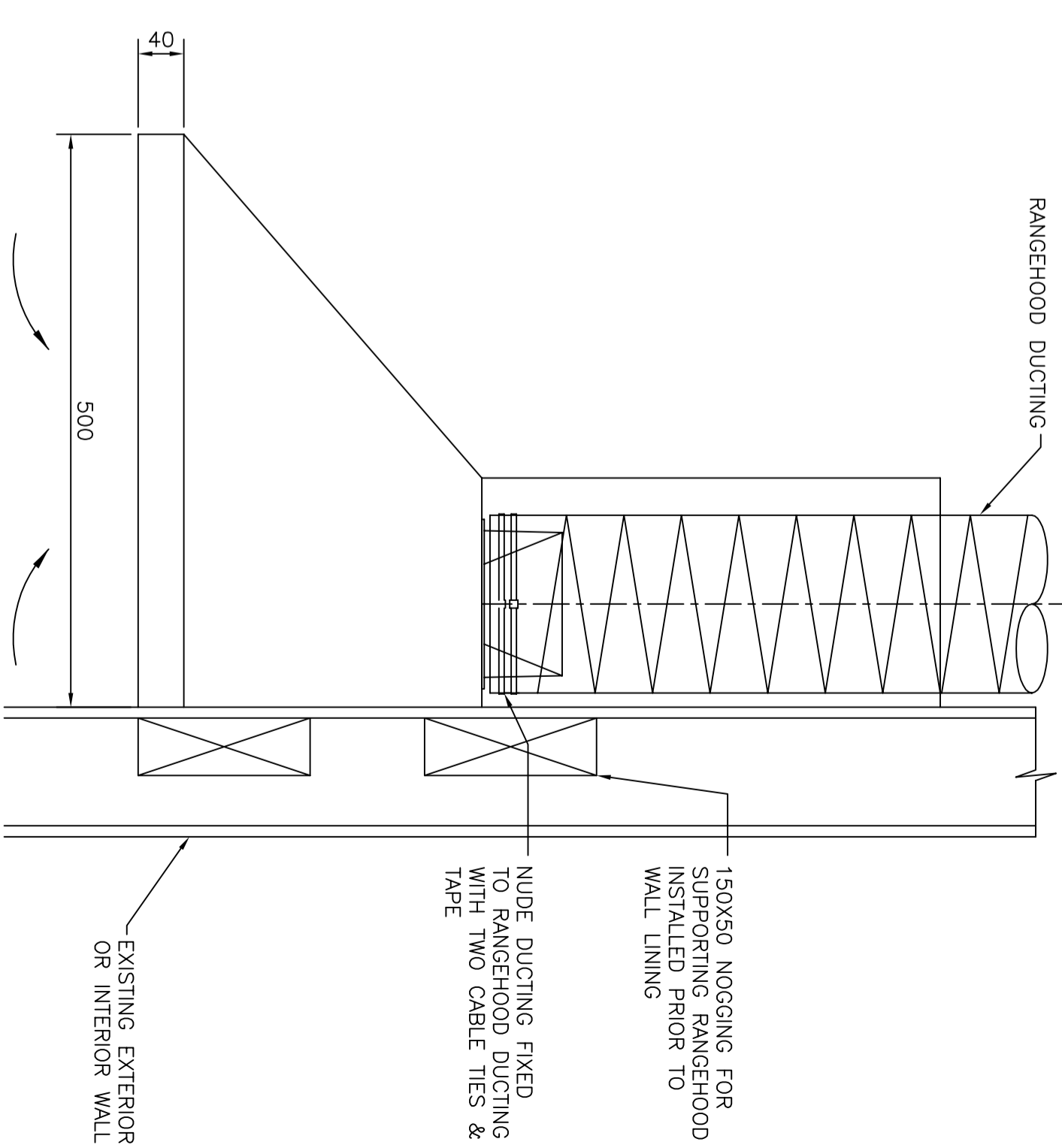
DETAIL D - 3D EXPLODED VIEW  
N.T.S.



SCALE 1:10



SECTION B-B  
SCALE 1:5



500

DRAWN	PCR	REVISION	A
DATE	23/07/10	SCALE	1:5, 1:10, N.T.S.
APPROVED	PN	DWG. NO.	RWC3CH6SS-D
DATE	23/07/10		