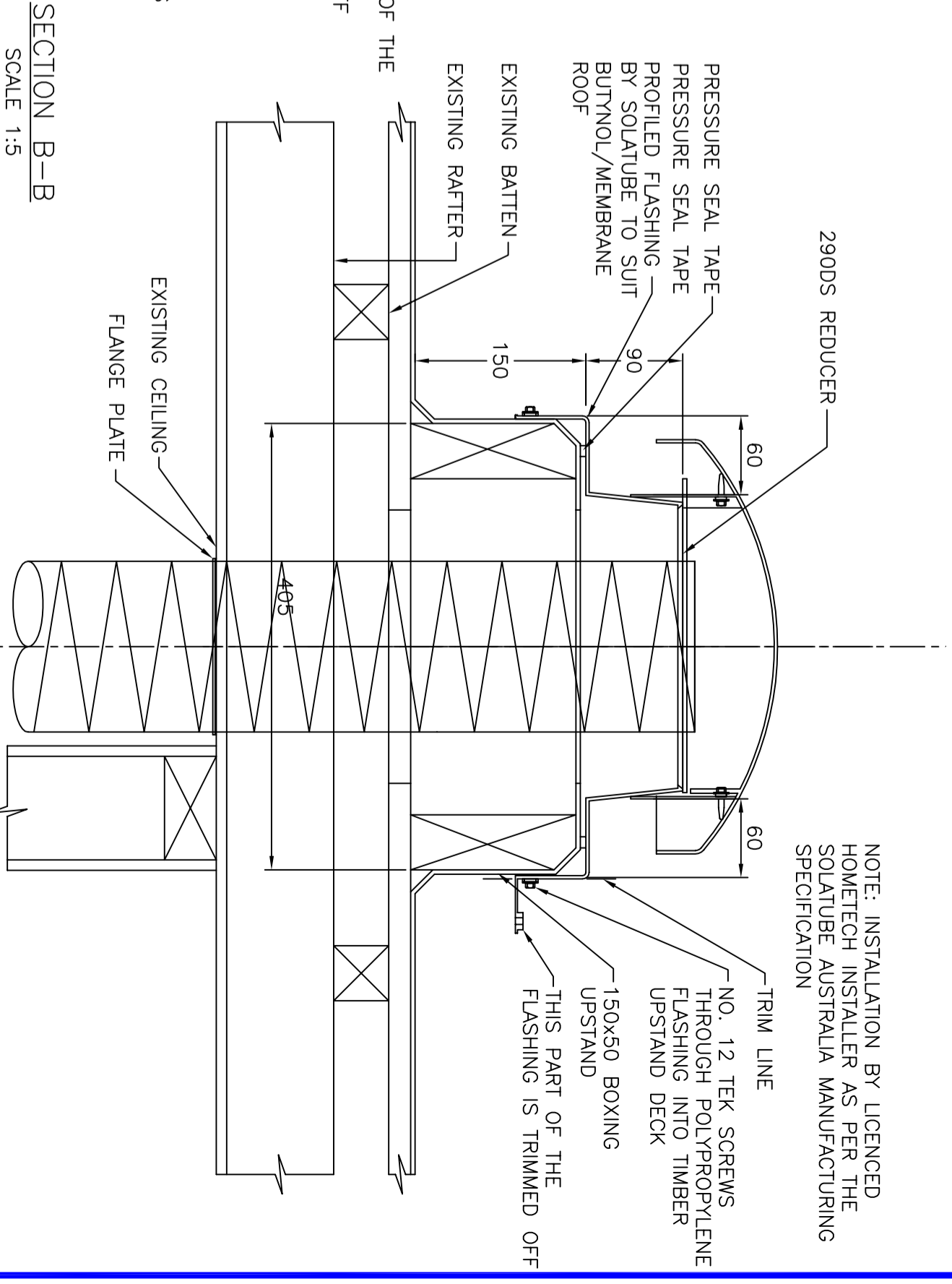
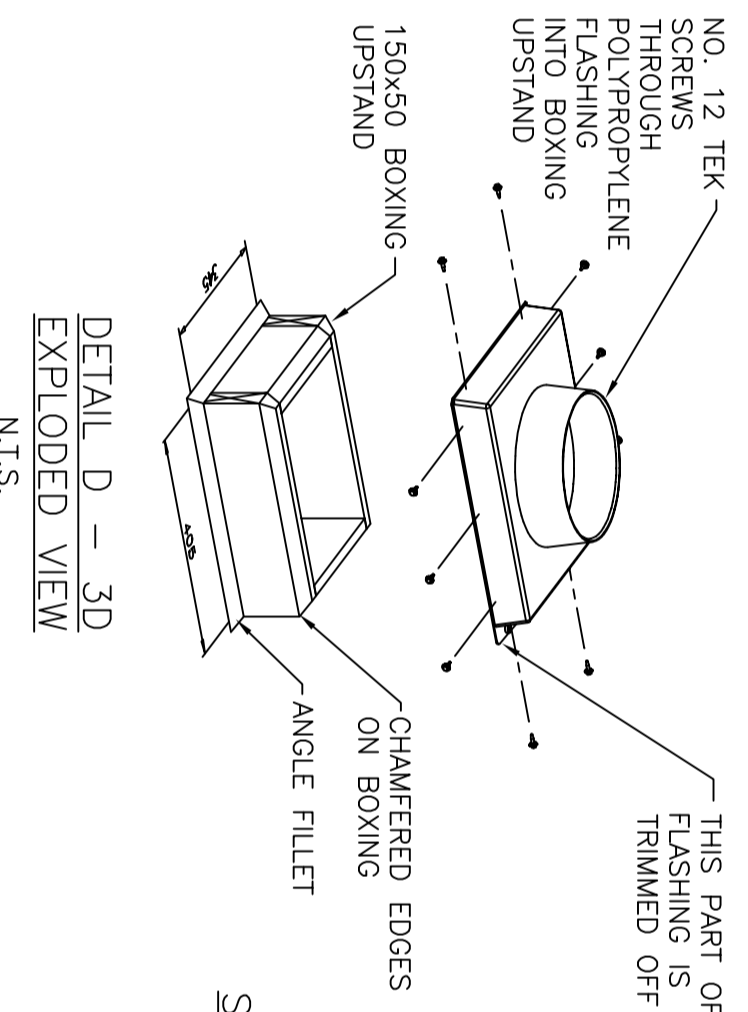
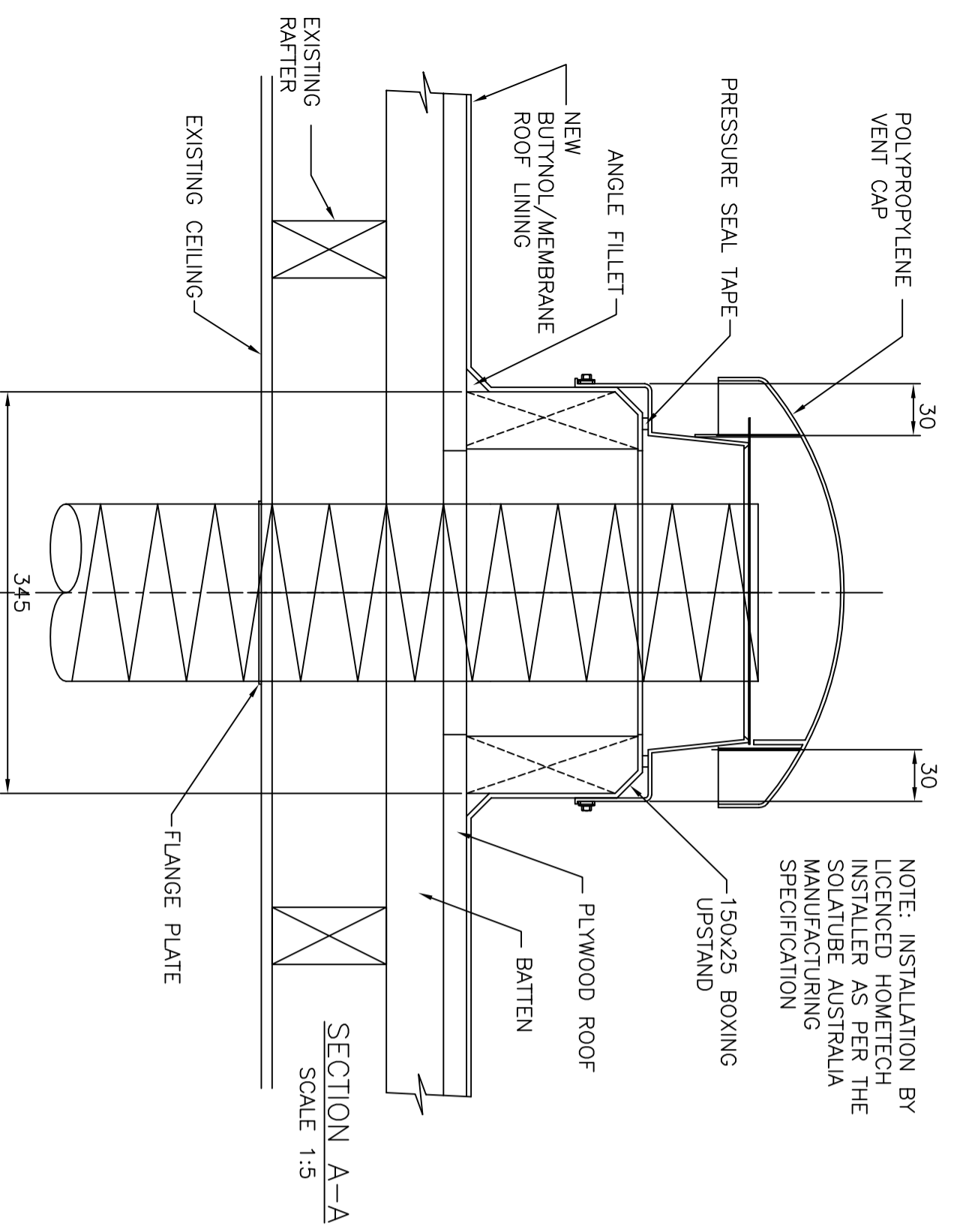
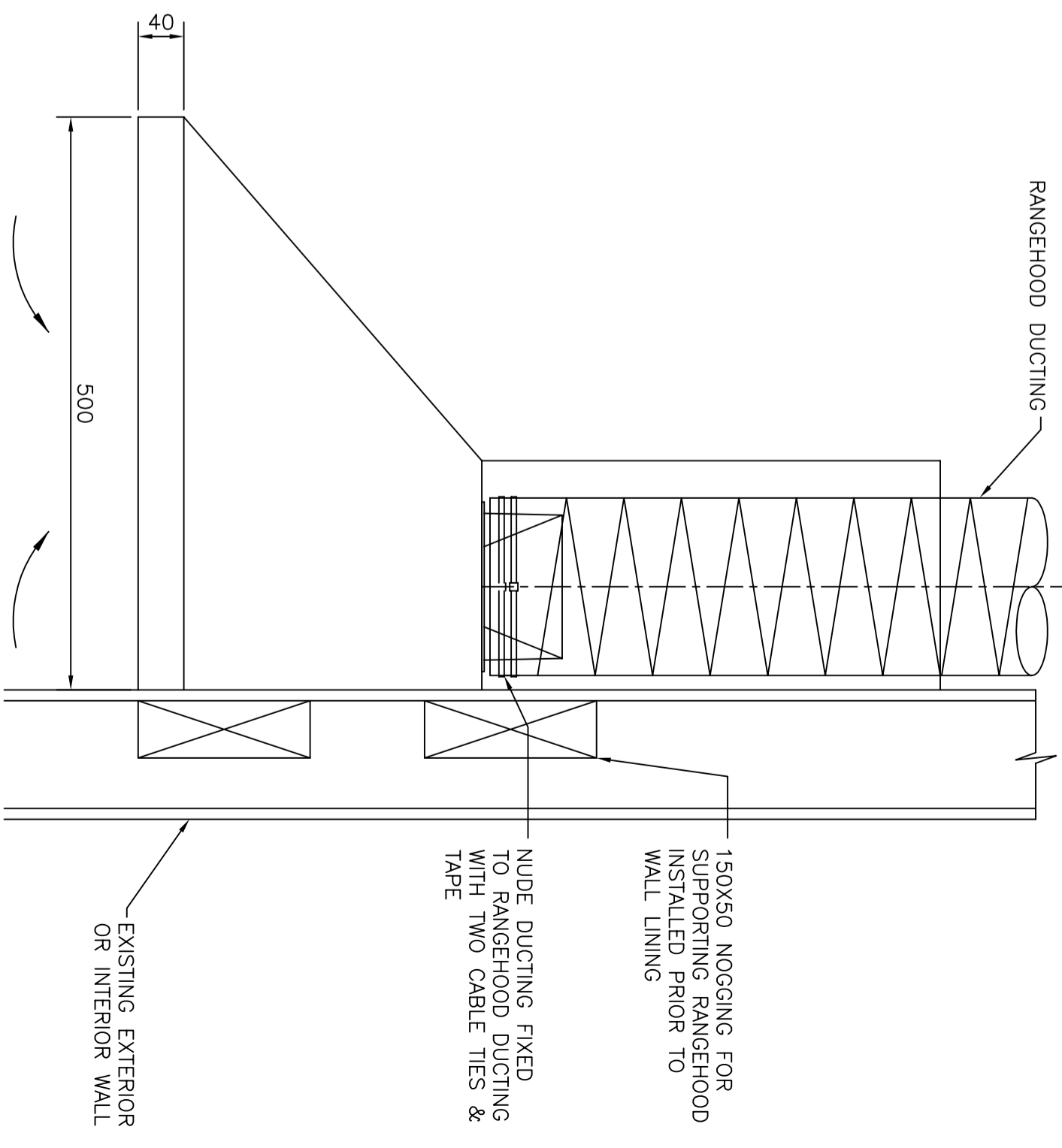
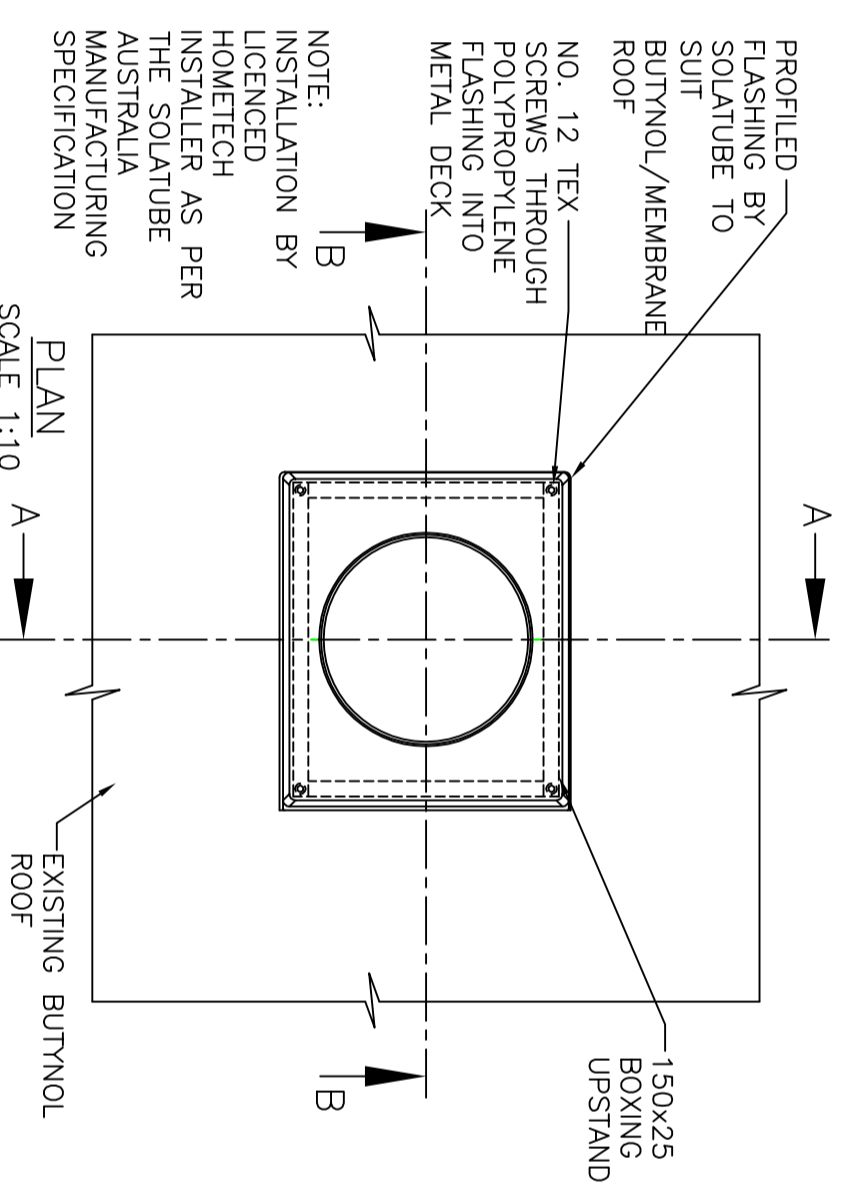
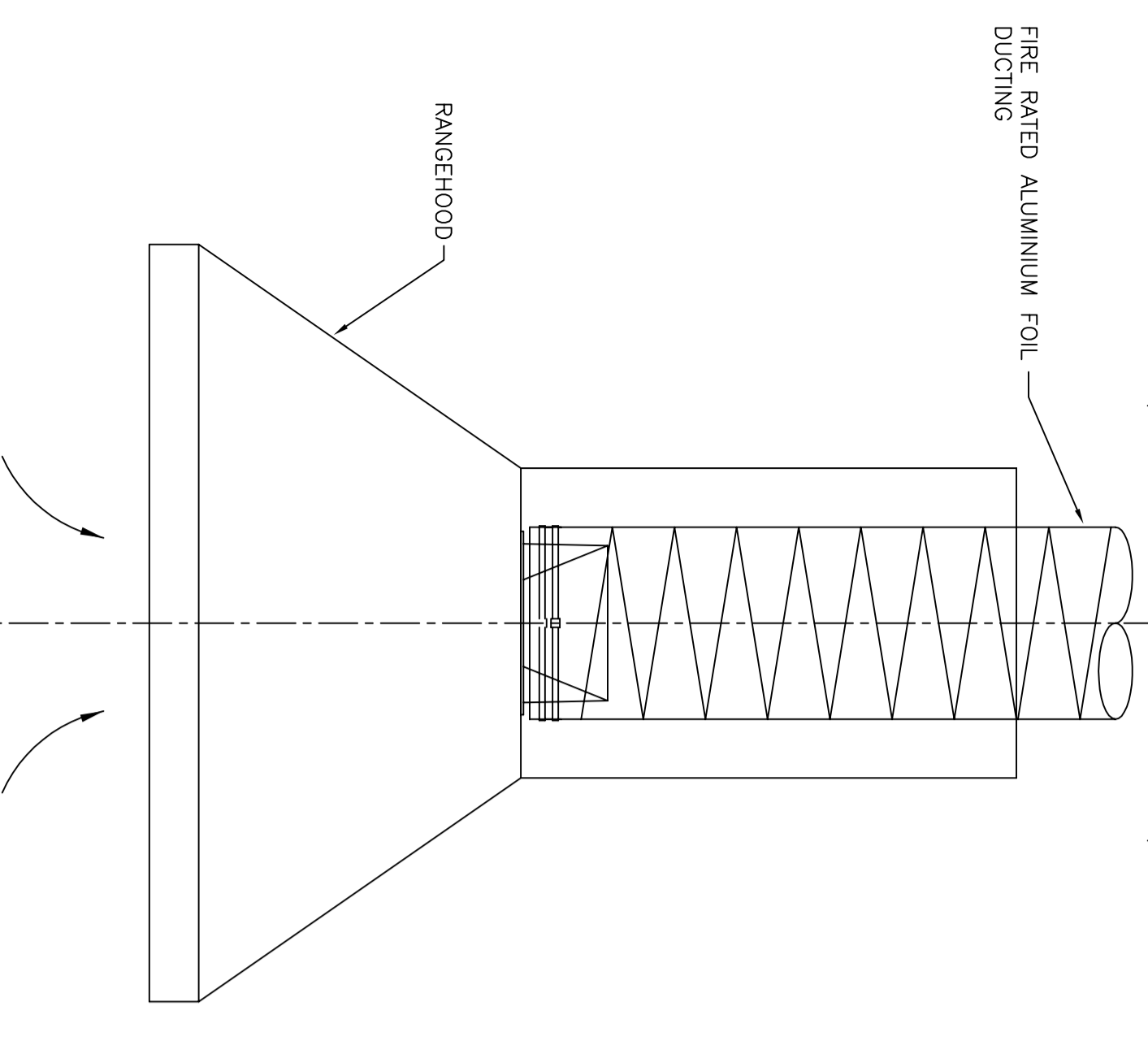


NOTE: INSTALLATION BY LICENCED HOMETECH INSTALLER AS PER THE SOLATUBE AUSTRALIA MANUFACTURING SPECIFICATION



NOTE: INSTALLATION BY LICENCED HOMETECH INSTALLER AS PER THE SOLATUBE AUSTRALIA MANUFACTURING SPECIFICATION



DATE	APPROVED	DATE	REVISION	SCALE
20/07/10	PN	20/07/10	A	1:5, 1:10, N.T.S.

DRAWN	PCR	REVISION	DWG NO.
		A	RWC3CH6SS-UF1