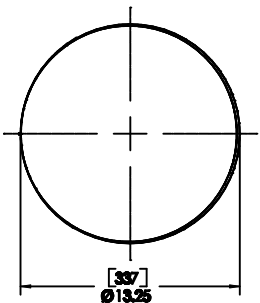
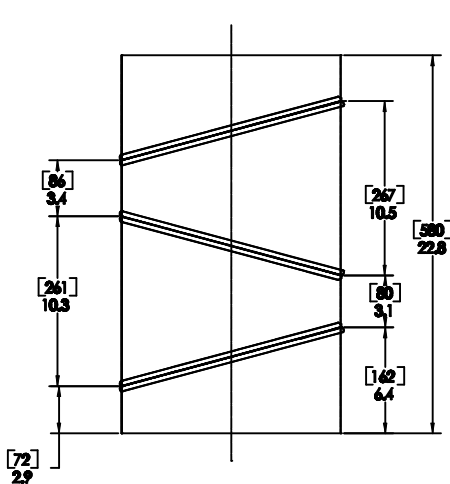
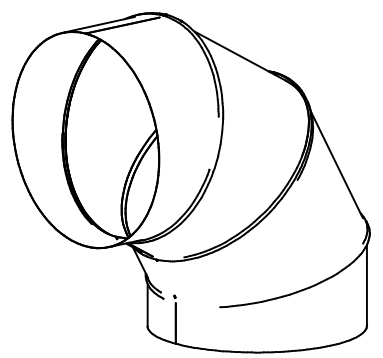


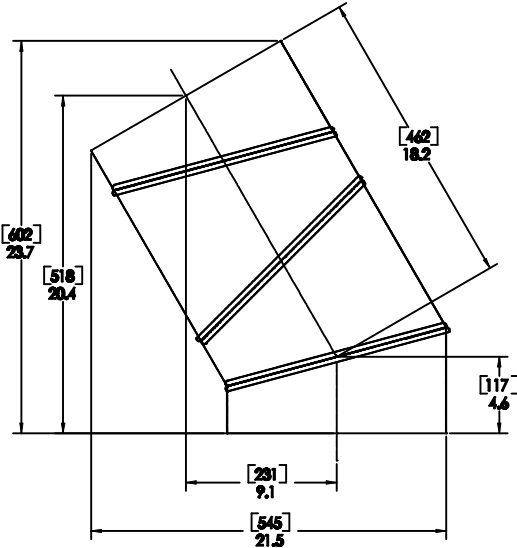
REVISIONS				
NO.	BY	DATE	DESCRIPTION	APP. BY
1				



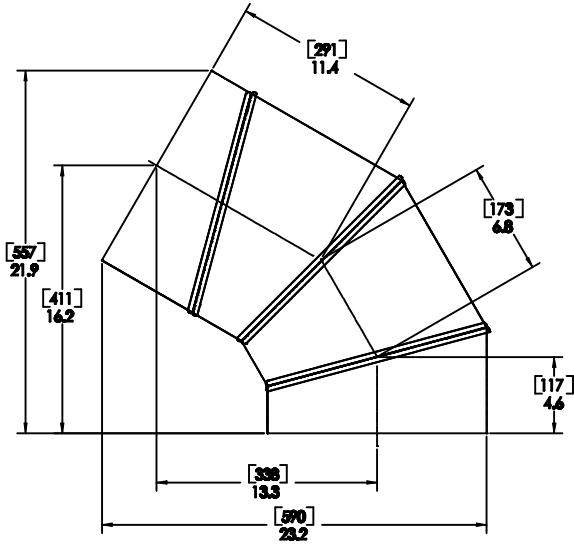
TOP VIEW
STRAIGHT
SCALE 1:1



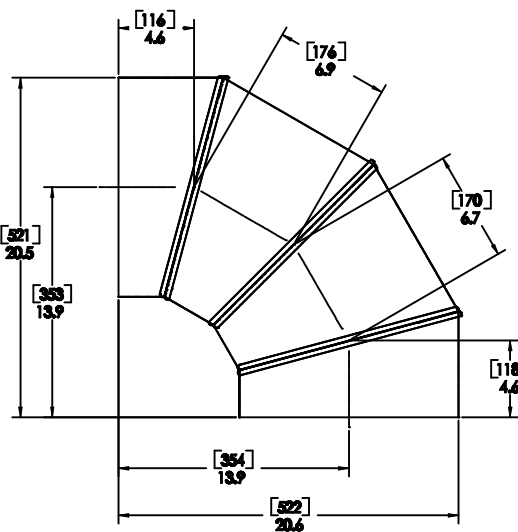
STRAIGHT
SCALE 1:1



30° ANGLE
SCALE 1:1



60° ANGLE
SCALE 1:1



90° ANGLE
SCALE 1:1

UNLESS OTHERWISE SPECIFIED: ALL DIMENSIONS ARE IN INCHES AND DECIMALS THEREOF. DIMENSIONS ARE TO CENTER UNLESS OTHERWISE SPECIFIED. TOLERANCES: ±.005 SURFACE FINISH: 320 & 240		PROPRIETARY AND CONFIDENTIAL THE INFORMATION CONTAINED HEREIN IS THE PROPERTY OF SOLATUBE AND IS TO BE KEPT CONFIDENTIAL AND NOT TO BE REPRODUCED OR TRANSMITTED IN ANY FORM OR BY ANY MEANS, ELECTRONIC OR MECHANICAL, INCLUDING PHOTOCOPYING, RECORDING, OR BY ANY INFORMATION STORAGE AND RETRIEVAL SYSTEM.		SOLATUBE 2215 OAK RIDGE WAY VISTA, CALIFORNIA 92081-5541 951 (619) 597-4000	
APPROVAL: _____ DATE: _____ DRAWN BY: _____ CHECKED BY: _____ APPROVED BY: _____ DATE: _____ DO NOT SCALE DIMENSIONS	DRAWN BY: STEVENS DATE: 2/10/16	TITLE: 0-90 DEGREE EXT. TUBE SIZE: 14 INCH	SHEET NO.: 14-90DEG-EXT SHEET OF: 2	REV: 2	SHEET OF: 2