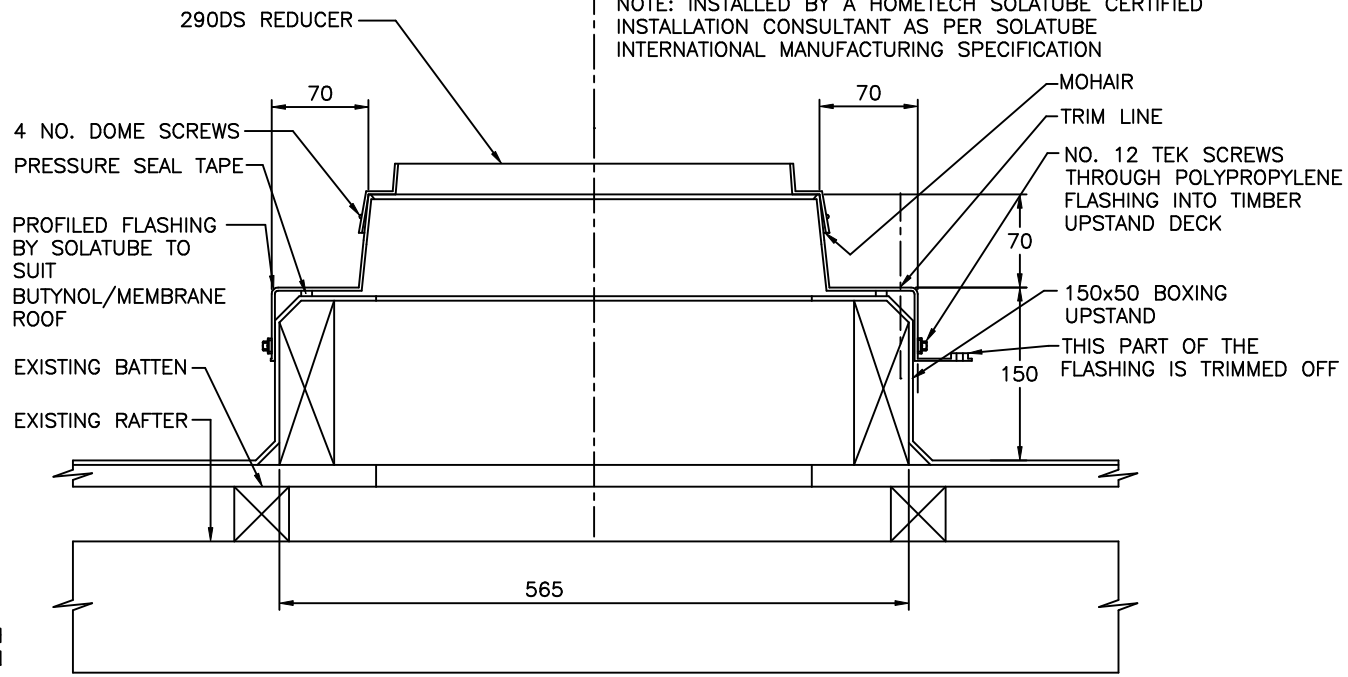


NOTE: INSTALLED BY A HOMETECH SOLATUBE CERTIFIED INSTALLATION CONSULTANT AS PER SOLATUBE INTERNATIONAL MANUFACTURING SPECIFICATION

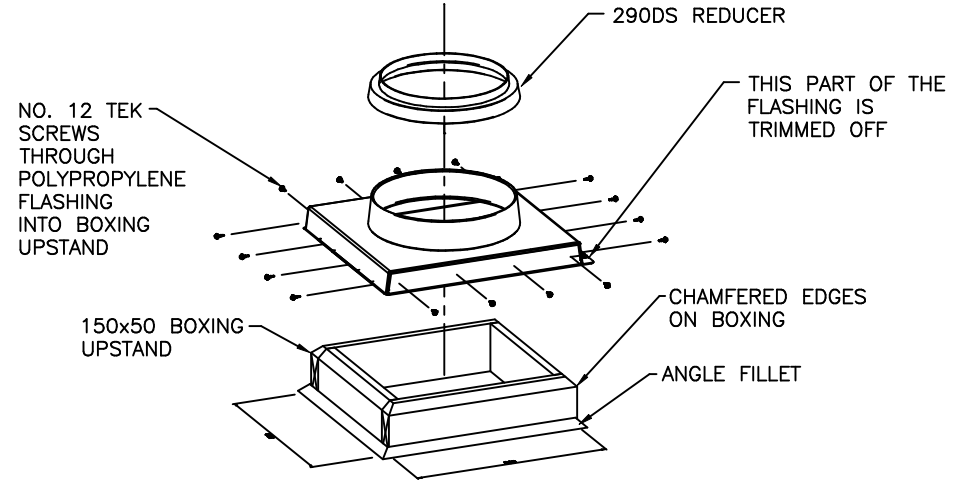
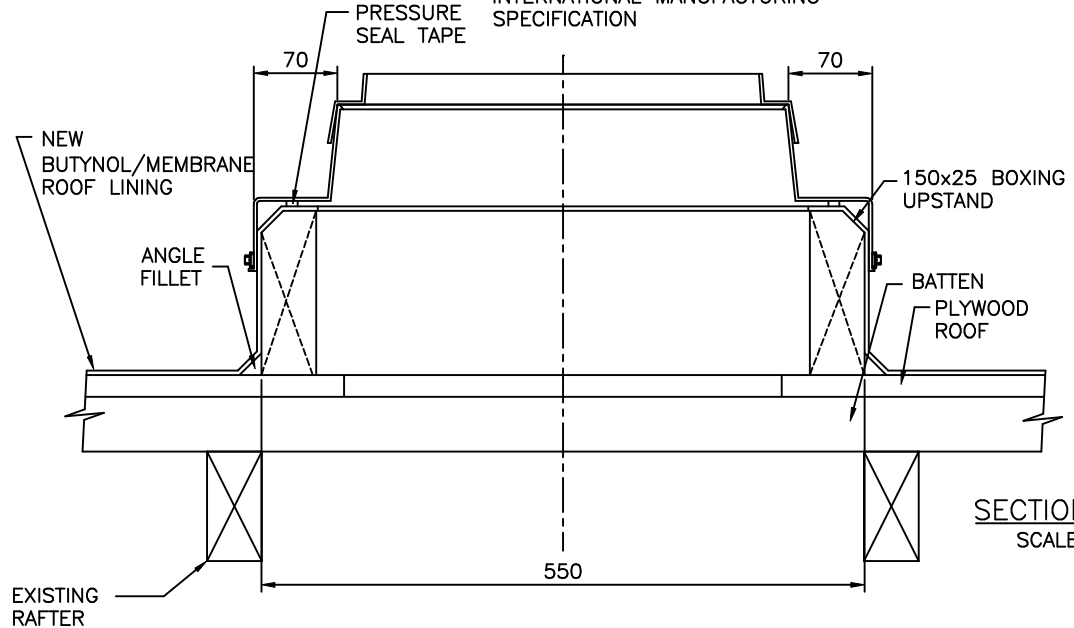
PLAN SCALE 1:10

NOTE: INSTALLED BY A HOMETECH SOLATUBE CERTIFIED INSTALLATION CONSULTANT AS PER SOLATUBE INTERNATIONAL MANUFACTURING SPECIFICATION



NOTE: INSTALLED BY A HOMETECH SOLATUBE CERTIFIED INSTALLATION CONSULTANT AS PER SOLATUBE INTERNATIONAL MANUFACTURING SPECIFICATION

SECTION A-A SCALE 1:5



DETAIL D - 3D EXPLODED VIEW N.T.S.

REFER TO NZBC E2/AS1 FOR MINIMUM ALLOWABLE ROOF PITCH

DRAWN	PCR	REVISION	C
DATE	22/10/16	SCALE	1:5,1:10,NTS
APPROVED	PN	DWG NO.	290DS-UF1
DATE	22/10/16		