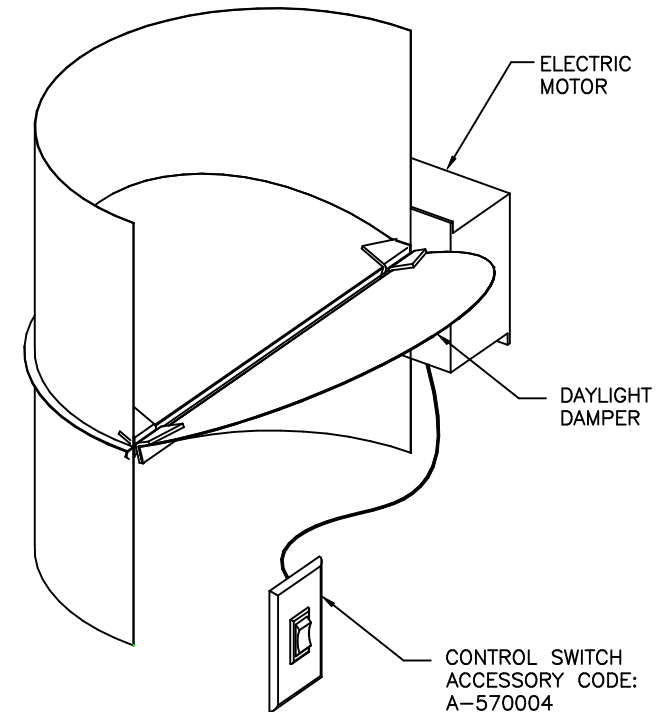


SECTION THROUGH SOLATUBE & DIFFUSER
SCALE 1:5

NOTE: INSTALLATION BY LICENCED HOMETECH INSTALLER AS PER THE SOLATUBE AUSTRALIA MANUFACTURING SPECIFICATION



3D CUTAWAY VIEW - DETAIL A
SCALE N.T.S.

ACCESSORY CODE: A-570002

DRAWN	PCR	REVISION	B
DATE	22/10/16	SCALE	1:5, NTS
APPROVED	PN	DWG NO.	290DS-DD
DATE	22/10/16		