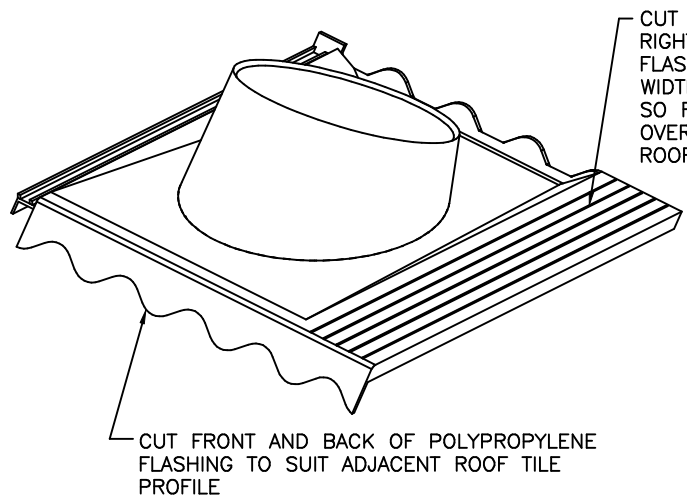
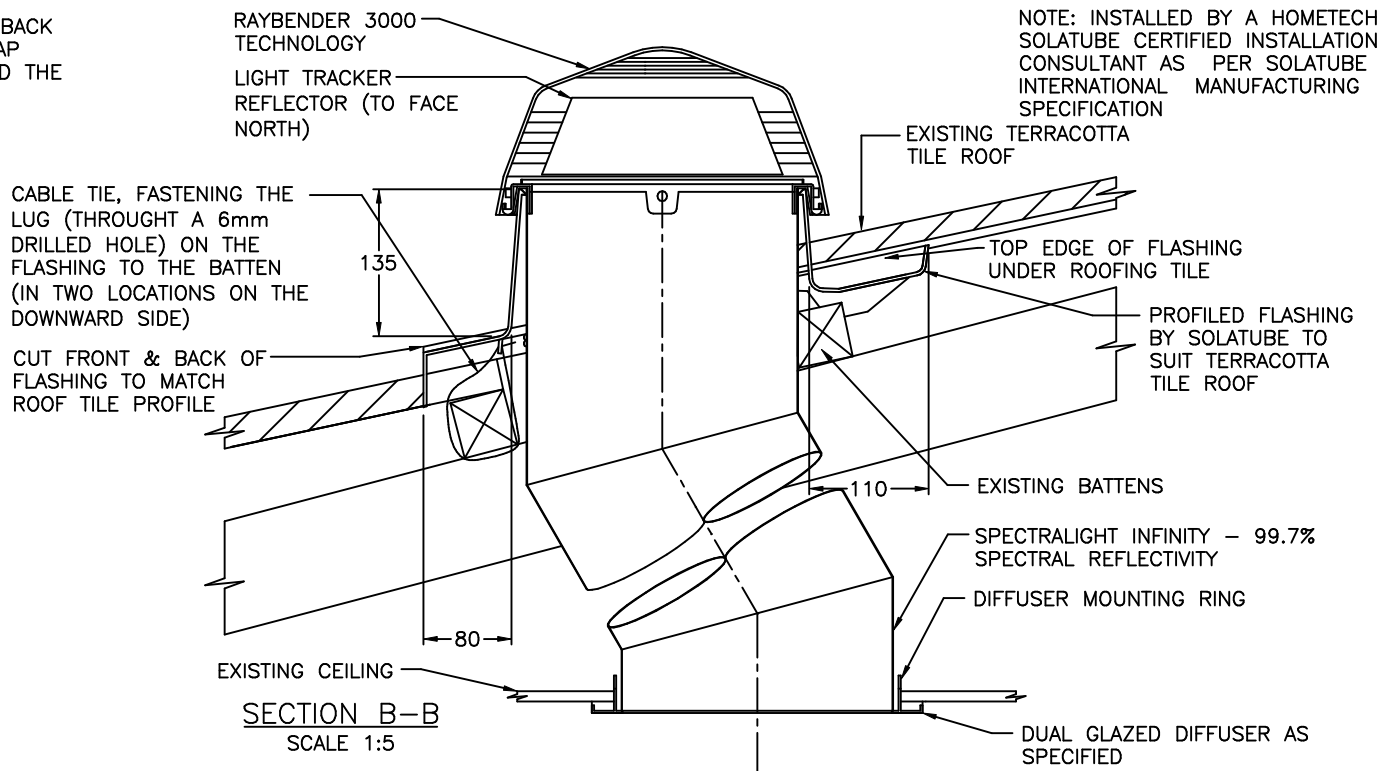


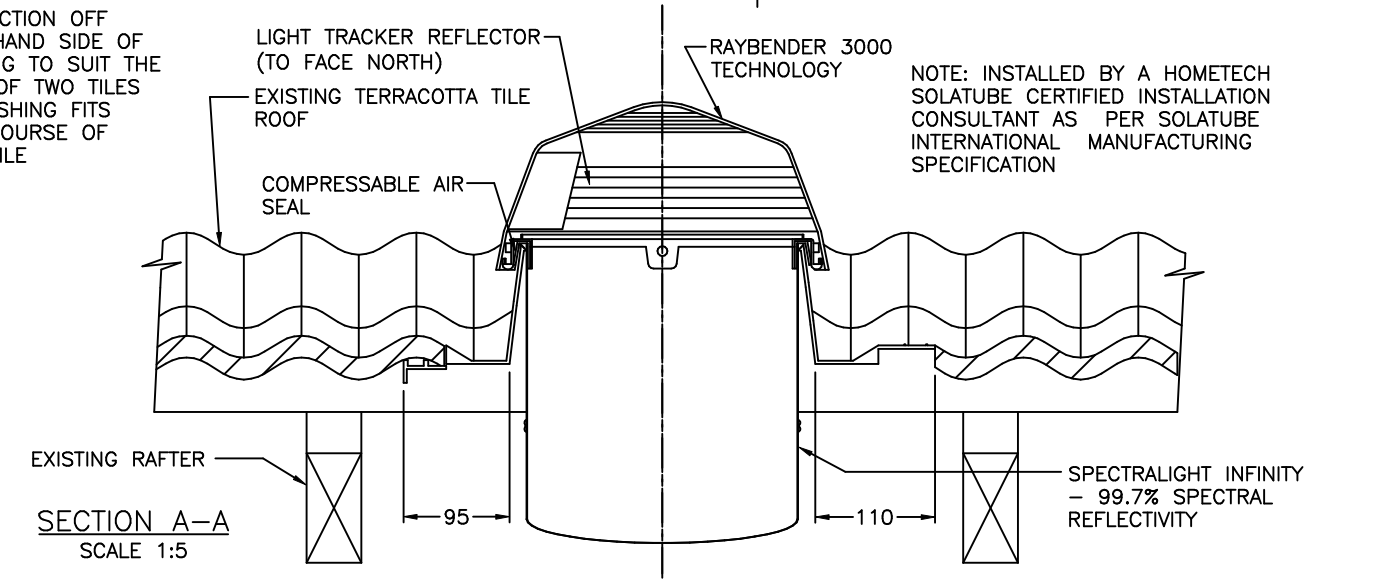
NOTE: INSTALLED BY A HOMETECH SOLATUBE CERTIFIED INSTALLATION CONSULTANT AS PER SOLATUBE INTERNATIONAL MANUFACTURING SPECIFICATION



3D FLASHING VIEW - DETAIL D SCALE N.T.S.



NOTE: INSTALLED BY A HOMETECH SOLATUBE CERTIFIED INSTALLATION CONSULTANT AS PER SOLATUBE INTERNATIONAL MANUFACTURING SPECIFICATION



NOTE: INSTALLED BY A HOMETECH SOLATUBE CERTIFIED INSTALLATION CONSULTANT AS PER SOLATUBE INTERNATIONAL MANUFACTURING SPECIFICATION

DRAWN	PCR	REVISION	D
DATE	21/10/16	SCALE	1:5,1:10,NTS
APPROVED	PN	DWG NO.	
DATE	21/10/16	160DS-TE	