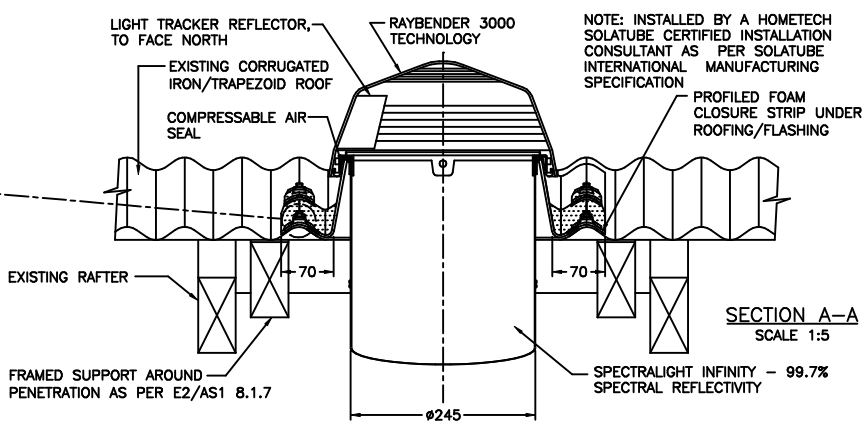
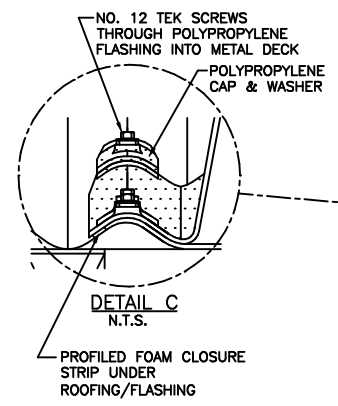
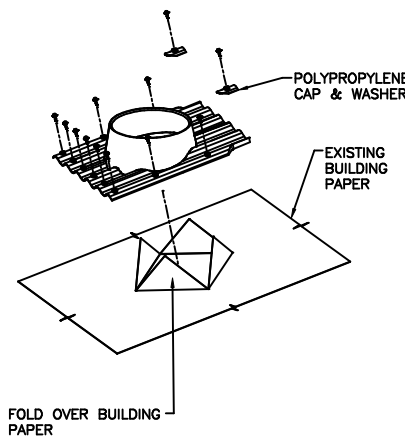
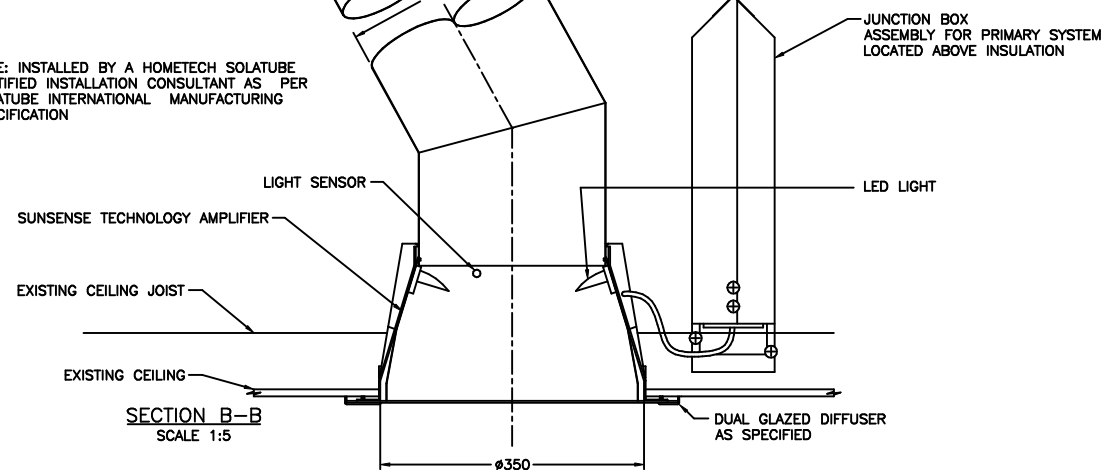


NOTE: INSTALLED BY A HOMETECH SOLATUBE CERTIFIED INSTALLATION CONSULTANT AS PER SOLATUBE INTERNATIONAL MANUFACTURING SPECIFICATION



NOTE: INSTALLED BY A HOMETECH SOLATUBE CERTIFIED INSTALLATION CONSULTANT AS PER SOLATUBE INTERNATIONAL MANUFACTURING SPECIFICATION

DRAWN	PCR	REVISION	B
DATE	21/10/16	SCALE	1:5, 1:10, NTS
APPROVED	PN	DWG NO.	160DS-LED-C
DATE	21/10/16		