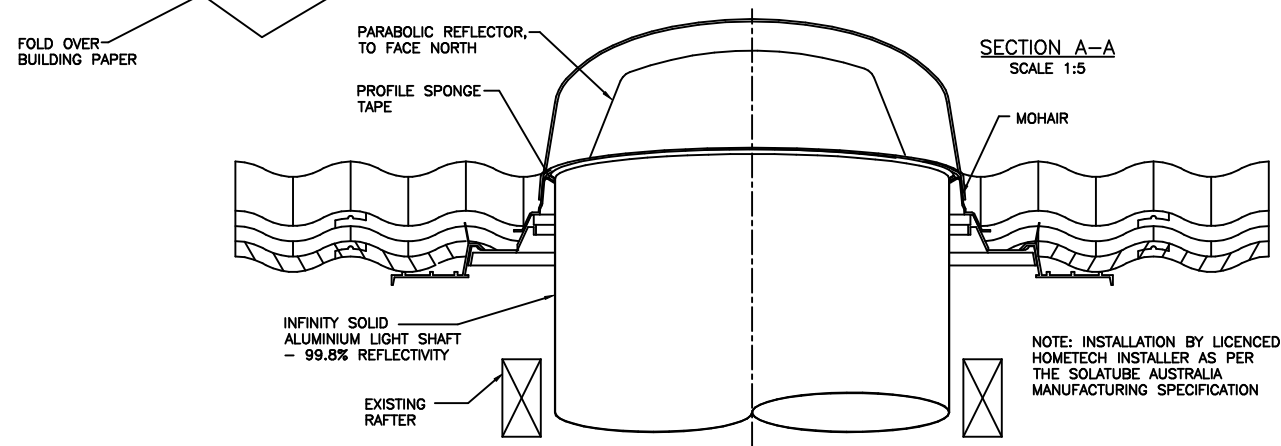
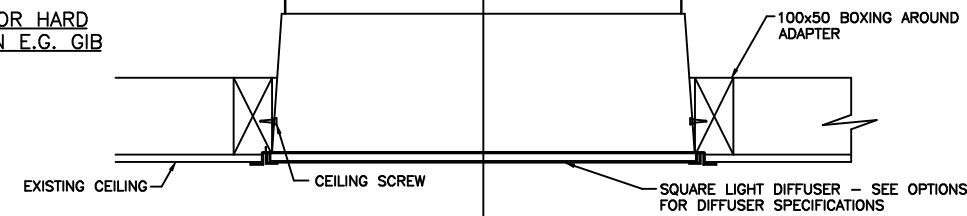
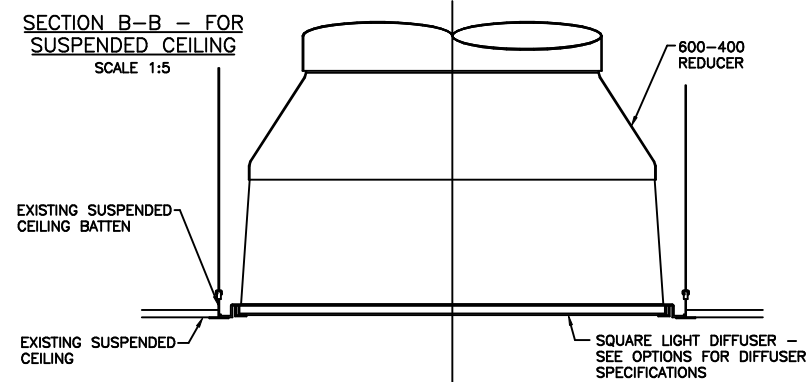


**SECTION B-B - FOR HARD CEILING INSTALLATION E.G. GIB**  
SCALE 1:5



**SECTION B-B - FOR SUSPENDED CEILING**  
SCALE 1:5



DRAWN	PCR	REVISION	B
DATE	22/10/16	SCALE	1:5, 1:10, NTS
APPROVED	PN	DWG NO.	
DATE	22/10/16	330DS-CC-CO	