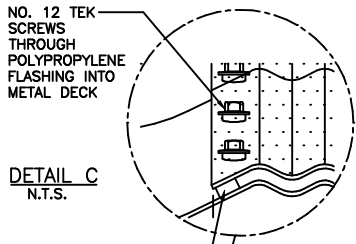
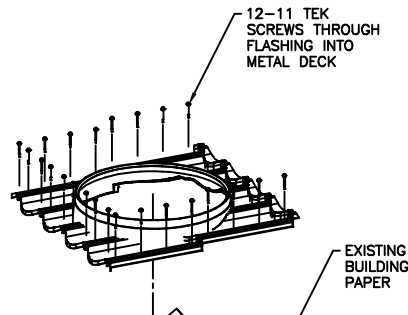


NOTE: SUPPORT FRAMING REQUIRED AROUND ROOF AS PER E2/AS1 8.1.7

NOTE: INSTALLED BY A HOMETECH SOLATUBE CERTIFIED INSTALLATION CONSULTANT AS PER SOLATUBE INTERNATIONAL MANUFACTURING SPECIFICATION

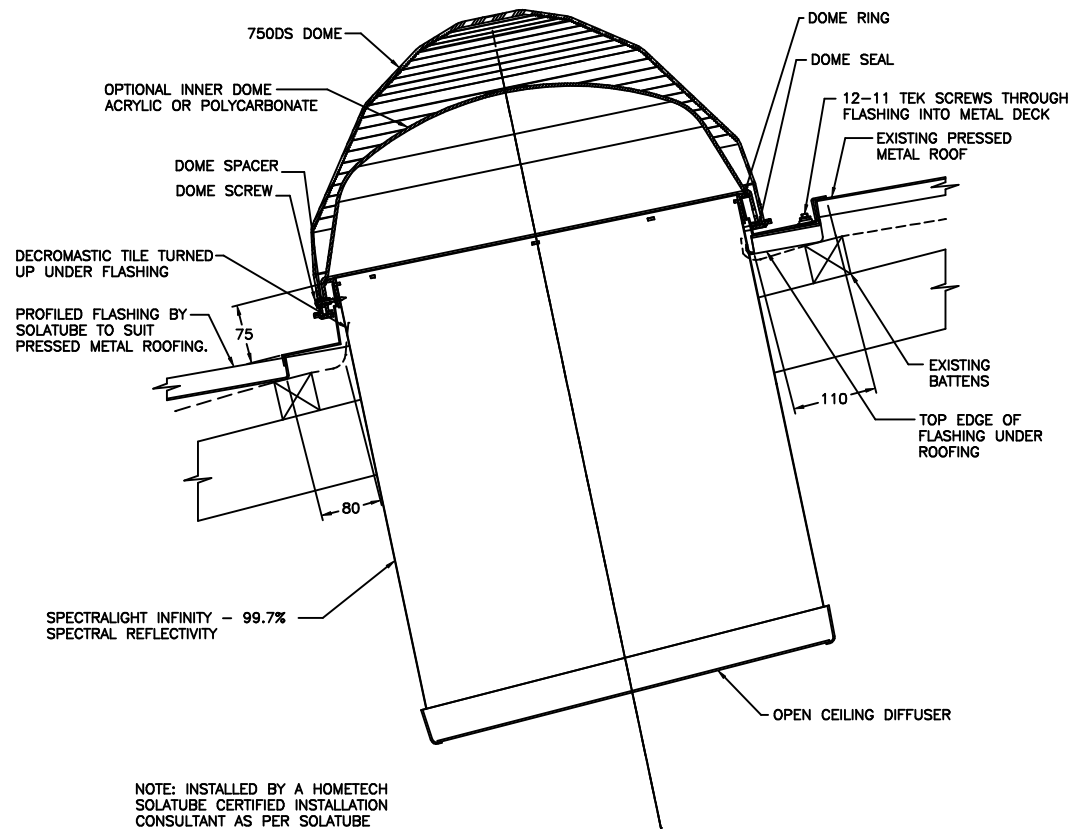


PROFILING FLASHING BY SOLATUBE TO SUIT PRESSED METAL ROOF PROFILE

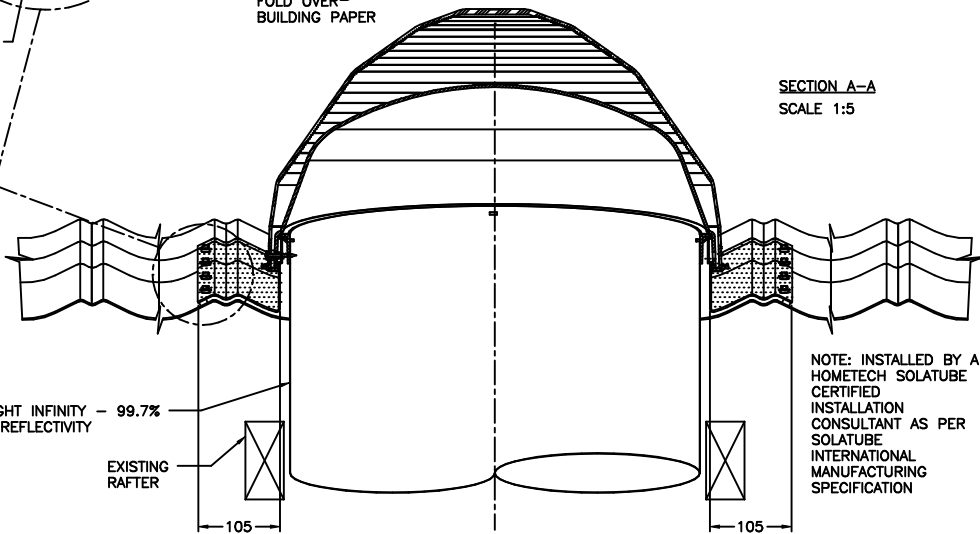


DETAIL D - 3D EXPLODED VIEW N.T.S.

FOLD OVER BUILDING PAPER



NOTE: INSTALLED BY A HOMETECH SOLATUBE CERTIFIED INSTALLATION CONSULTANT AS PER SOLATUBE INTERNATIONAL MANUFACTURING SPECIFICATION



SECTION A-A SCALE 1:5

DRAWN	PCR	REVISION	C
DATE	22/10/16	SCALE	1:5, 1:10, NTS
APPROVED	PN	DWG NO.	
DATE	22/10/16		750DS-OC-D