



PRODUCT DESCRIPTION

Solar powered daylight control. The Solar Dimmer sits inside the Solatube tube with a butterfly valve that is controlled via a wireless switch to control the amount of daylight entering the space.

KEY BENEFITS

- Solar powered: Charged by the sun, the dimmer requires electric energy to run.
- Go wireless: No need for wires or electricians making it easy to install.
- One touch: The one touch remote control offers intuitive control.
- Total control: Set the dimmer from fully open to closed and anywhere in between.

APPLICATIONS

This system is suitable, but not limited to the following areas:

- Bedrooms, living areas, studies - anywhere you might want to "turn out the lights".

PRODUCT COMPLIANCE

- EN55015:2013+A1:2015
- EN61547:2009
- EN61000-3-2-:2014
- EN61000-3-3-:2013
- CE Approved

ELECTRICAL

- No electrical works required for standard installations (low voltage only).

WARRANTY

- 5-year warranty on all Solar-Powered Daylight Dimmer components.
- Terms and conditions apply.

SPECIFICATIONS

Compatible Models:	Solatube 160DS Solatube 290DS
Diameter:	250mm (160DS) 350mm (290DS)
Solar Panel:	Roof mounted
Control:	Wireless one-touch remote. One remote can control up to 10 Solar Dimmers or multiple remotes can control 1 Solar Dimmer.

EXPANSIONS AND ACCESSORIES

- Extension cable
- Additional remotes

LIMITATIONS

- At night the Solar Dimmer automatically enters sleep mode – this locks the control in its current state and stores energy in the system over night so you have enough power to adjust setting in the morning.
- Ask your installer about auto mode if you would like the Solar Dimmer to always be shut in the morning (auto mode triggers the dimmer to close just before entering sleep mode so when the sun comes up, the curtains are shut and the lights are off.

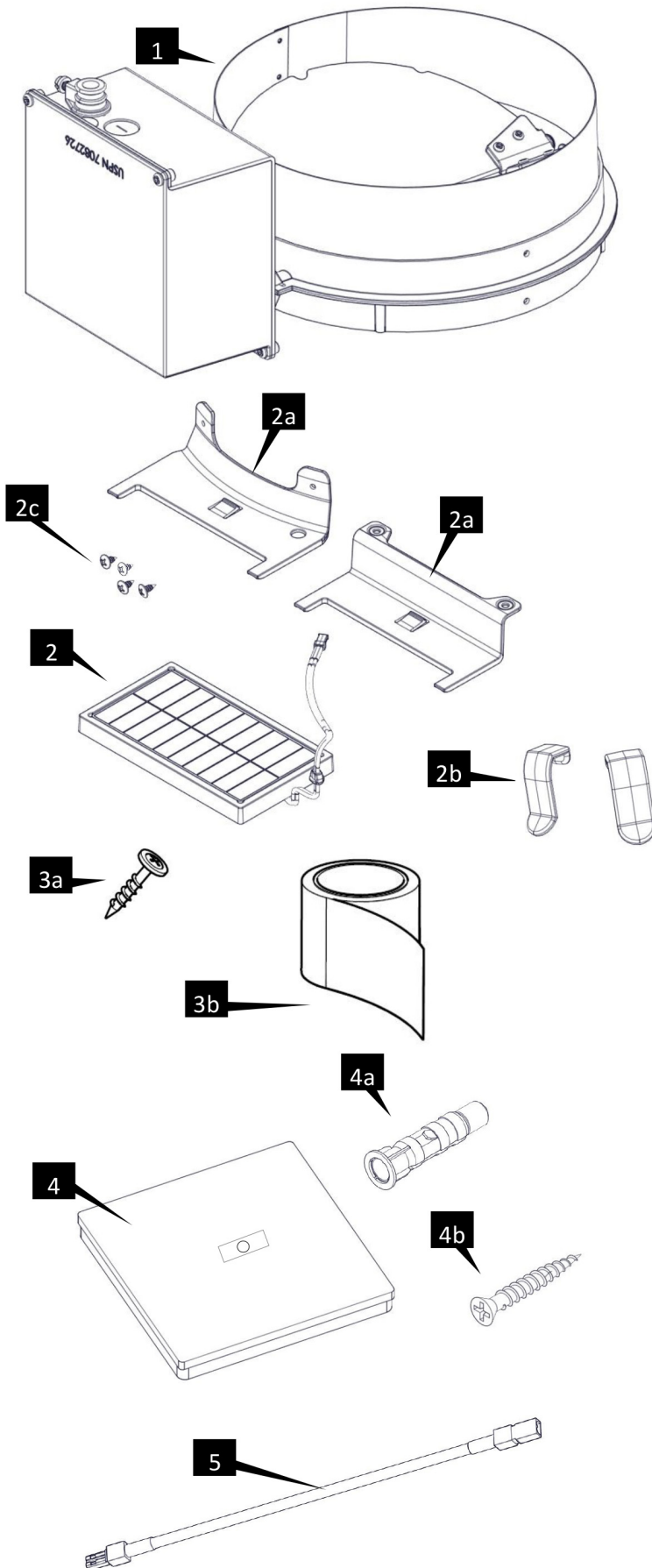
INSTALLATION TO BE CARRIED OUT BY AUTHORISED HOMETECH INSTALLER

- The Solar Dimmer should be installed as part of your Solatube standard installation.
- Alternatively please enquire for suitability as a retrofit product.
- No electrical works required for standard installations (low voltage only).

MAINTENANCE

- No maintenance required.

DRAWING (FURTHER VARIATIONS AVAILABLE ON THE WEBSITE)



Parts List		Quantity
1	Daylight Dimmer Assembly	(1)
2	Solar Panel	(1)
2a	Solar Panel Mount (160 DS / 290 DS)	(1)
2a	Solar Panel Mount (290 DS Low Profile)	(1)
2b	Solar Panel Clips	(2)
2c	4 X 10mm Truss Head Screw	(4)
Seal and Fasteners		
3	a. Tube Screws - #8 X 9/16 in (14 mm)	(2)
	b. Foil Tape - 2 in (51 mm) X 6 ft (2 m) roll	(1)
4	Remote Control	(1)
4a	Wall Anchor	(2)
4b	Drywall Screw	(2)
5	Extension Cable 6 ft (1.8 m) With Cable Clamps and Screws (Order Separately)	(1)

