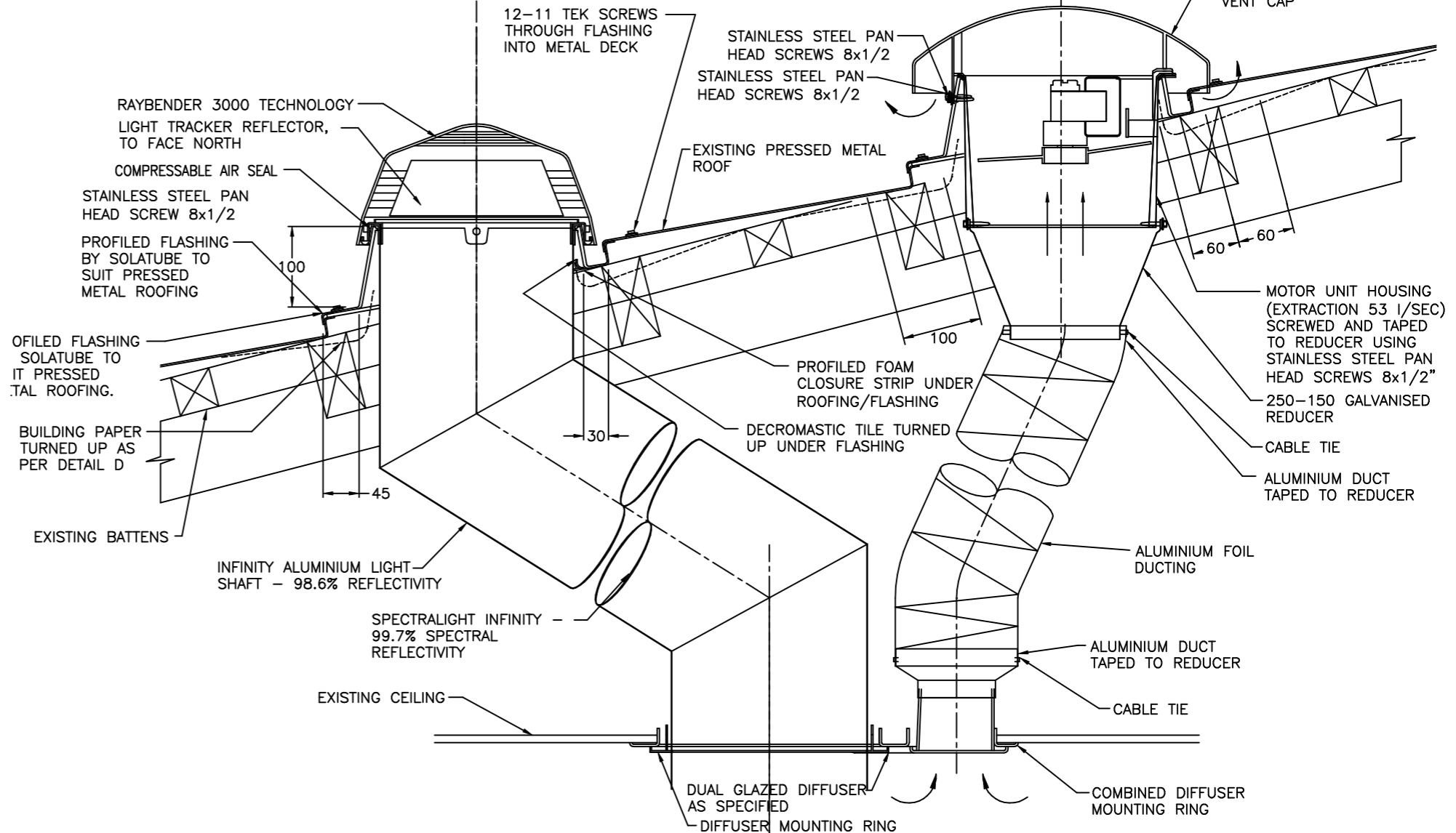
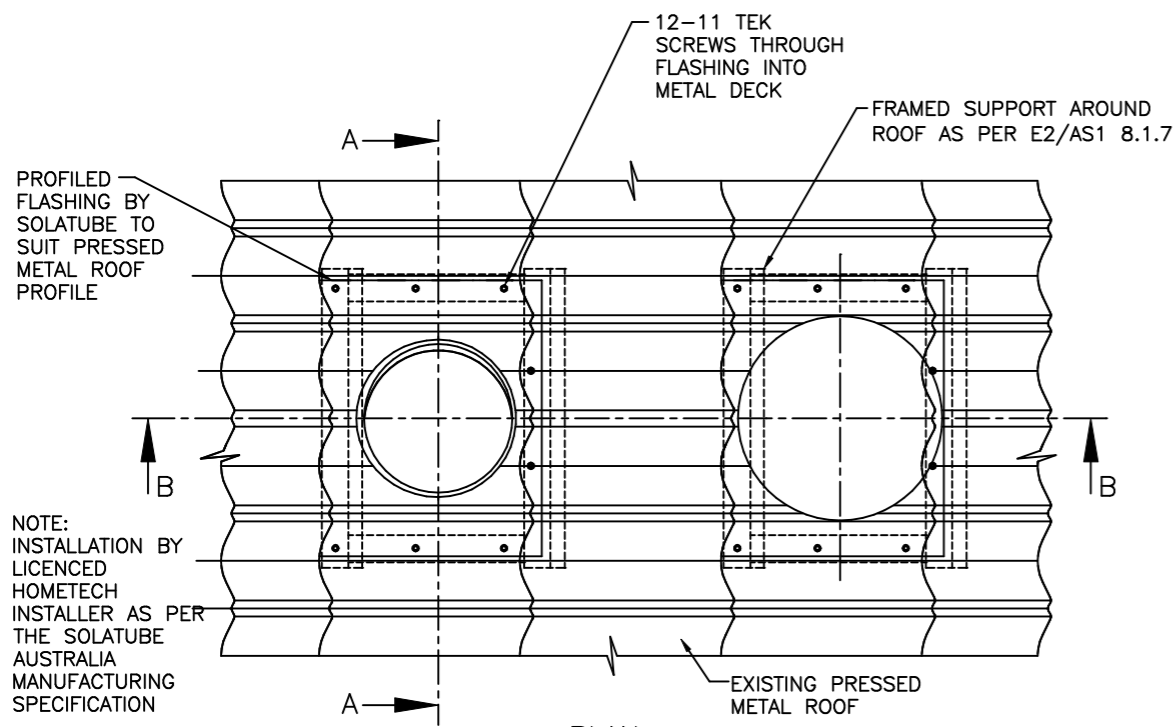


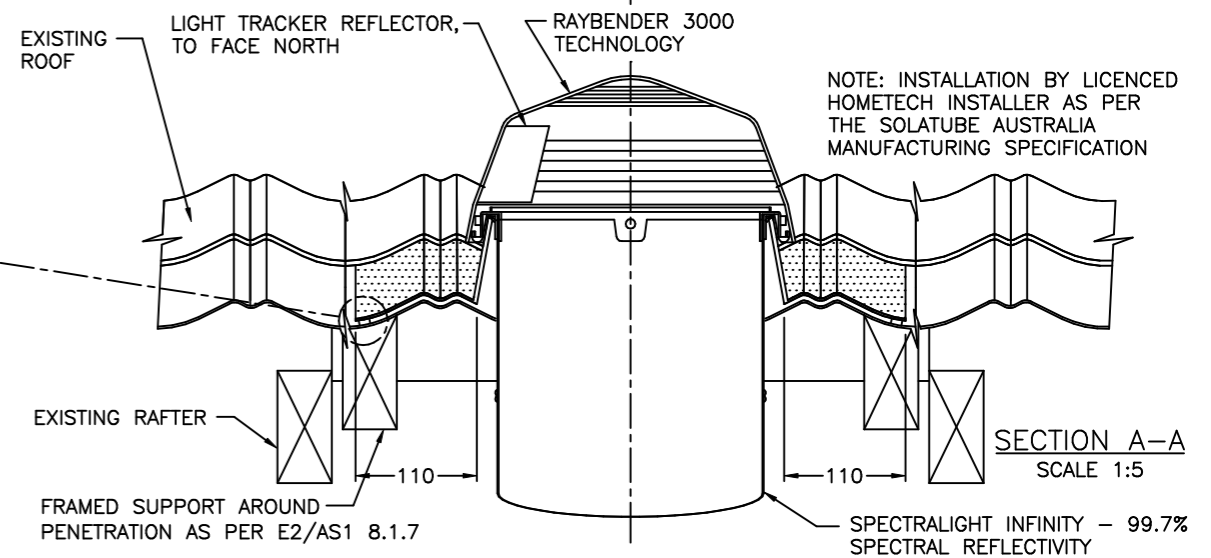
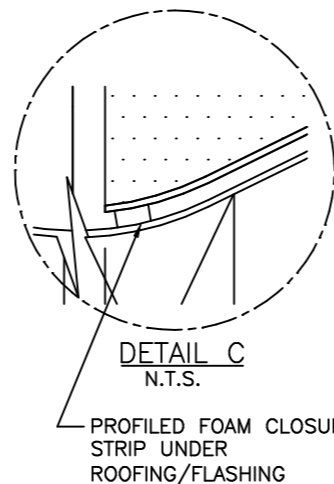
DETAIL D - 3D EXPLODED VIEW  
N.T.S.



SECTION B-B  
SCALE 1:5



PLAN



SECTION A-A  
SCALE 1:5

DRAWN	PCR	REVISION	C
DATE	13/06/18	SCALE	1:5,1:10,NTS
APPROVED	PN	DWG NO.	
DATE	13/06/18		160DS-V-D