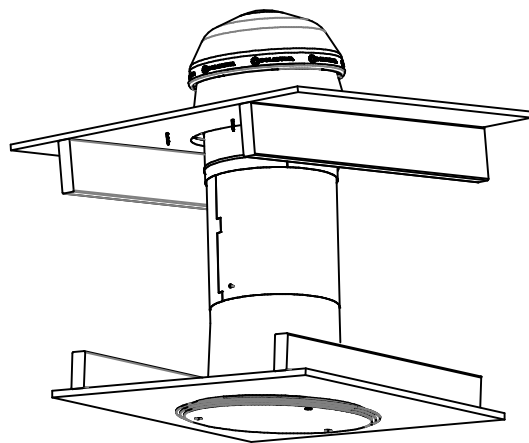
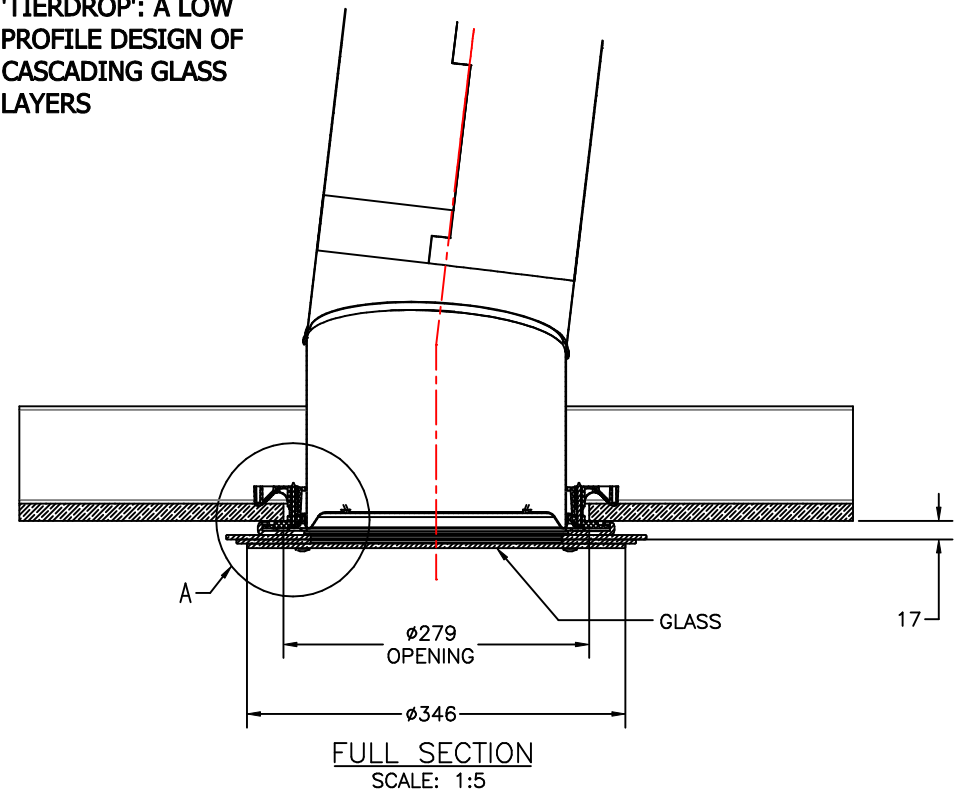


'TIERDROP': A LOW PROFILE DESIGN OF CASCADING GLASS LAYERS



3D VIEW
SCALE: NTS

DRAWN	PCR	REVISION	B
DATE	21/10/16	SCALE	1:5, 1:1, NTS
APPROVED	PN	DWG NO.	
DATE	21/10/16		GD-TD2